

Plant valves

VGS800

DN15...50, PN16

These valves are primarily designed to regulate the flow of water in response to the demand of a controller in zone and terminal unit applications. Following electric actuators are available:

VA-77xx and VA78xx electric valve actuators.

Features

- ▶ Cast bronze body
- ▶ K_{vs} 0.63...40
- ▶ 2-way PDTO (normally closed)
using 3-way mixing valve with modkit,
3-way mixing configuration
- ▶ Fluid temperature 2...130 °C
- ▶ BSPP male threaded body connections

Ordering information

3-way mixing configuration

Codes	Body size	K_{vs}	Nominal stroke (mm)	Close-off pressure kPa	
				VA-77xx-820x 500 N	VA78xx-xxx-12 1000 N
VGS8A5W1N	DN15	0.63	13	958	1600
VGS8A4W1N		1.0			
VGS8A3W1N		1.6			
VGS8A2W1N		2.5			
VGS8A1W1N		4.0			
VGS8B1W1N	DN20	6.3		605	1600
VGS8C1W1N	DN25	10		280	1046
VGS8D1W1N	DN32	16		176	744
VGS8E1W1N	DN40	25		54	369
VGS8F1W1N	DN50	40		---	208

Note

Ordering of factory mounted valves and electric actuators. The valves and actuators can be ordered separately or factory mounted. When factory mounted, please add "+M" to the order code for the actuator.

Pipe muffles

Codes	Muffles
121 4935 151	DN15 / Rp 1/2
121 4935 201	DN20 / Rp 3/4
121 4935 251	DN25 / Rp 1
121 4935 321	DN32 / Rp 1 1/4
121 4935 401	DN40 / Rp 1 1/2
121 4935 501	DN50 / Rp 2

Note

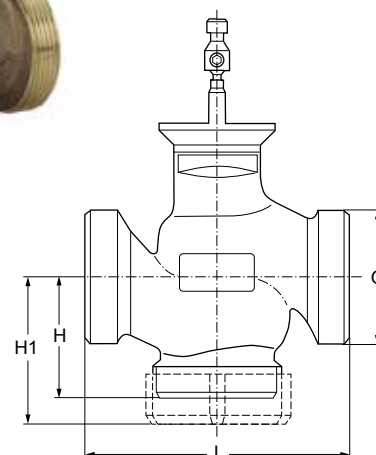
3 pipe muffles are needed for the mixing valves

Modkit for transformation of 3-way into 2-way valves

Codes	Mod kit for:
121 4930 151	DN15 / Rp 1/2
121 4930 201	DN20 / Rp 3/4
121 4930 251	DN25 / Rp 1
121 4930 321	DN32 / Rp 1 1/4
121 4930 401	DN40 / Rp 1 1/2
121 4930 501	DN50 / Rp 2

Note

2 pipe muffles and 1 modkit are required to alter a 3-way valve into a 2-way valve



Dimensions in mm

Body Size	G	L	H	H1
DN15	1 1/8	80	55	65
DN20	1 1/4	90	55	65
DN25	1 1/2	110	55	66
DN32	2	120	55	67
DN40	2 1/4	130	60	72
DN50	2 3/4	150	65	77