

TIMEFLOW SHOWER CONTROLS AND SHOWERHEADS

Specialist timeflow
engineering to reduce
waste and vandalism in
shared shower facilities

POWERED BY  PRESTO TECHNOLOGY



The Safety Valve Specialist

Reliance Water Controls Ltd

A Reliance Worldwide Company

Worcester Road, Evesham,
Worcestershire, WR11 4RA, UK

UK - Freephone: 0800 389 5931

Freefax: 0800 389 5932

Outside UK - Tel: +44 (0) 1386 712400

Fax: +44 (0) 1386 712401

Email: sales@rwc.co.uk

www.rwc.co.uk

Economy with Control

Today Britain's reservoirs are threatened by an ever increasing demand for water. Risks of shortages and pollution caused by excessive use of water are well documented not only in the UK but in many other parts of the world also. Wastage can account for almost 20% of total water consumption. The implications of this statement are many and costly, not only from a monetary point of view but also from an environmental perspective. If we consider that every drop of water that is bought must not only be paid for initially so that it can be used (or wasted, as the case may be), it must also be disposed of. This incurs further cost in the form of sewerage charges, and when you consider that sewerage charges are based on the amount of water consumed it is obvious that the real cost of wastage in monetary terms is very high indeed. From an environmental perspective the cost of wastage is equally alarming, not only because of the potential ramifications that low river and lake water levels can have on plant and animal life, but in addition the potentially high pollution levels that can be caused by overloading sewage treatment plants beyond their effective working capacity.

To preserve the future of Britain's water reserves, water must be managed in an economical and ecologically sound way. Reliance Water Controls has a long history of providing high quality products to meet the changing demands of the marketplace and the new Reliance range of timeflow valves is the latest addition to our portfolio of water saving and water control devices.

Powered by – Reliability by Design

Reliance and the specialist French sanitary fittings supplier Presto have formed a unique partnership. Although Presto is already a well known supplier of top quality timeflow products to the UK market, by making Reliance the exclusive distributor of their specialist products they can reach a much wider market with a bigger range of product than ever before. In the 80 years that Presto has been building timeflow sanitary fittings, they have perfected the techniques and design that make their products the most reliable on the market today.

Anti-vandal = Anti-waste

In addition to the substantial savings that can be realised by something as simple as automatically regulating the duration of flow as these showers do, there are also substantial savings to be made from the fact that the valves are vandal resistant. A common occurrence in commercial properties of all types is for showers to be left running, either by accident or design; sometimes a vandal may also block the drain for added fun and destruction. With a typical manual or mixer shower this is done by simply leaving it on. With a timeflow shower, the button or handle has to be blocked open or tied with wire or string.

Flow Regulation

In order to minimise waste and to realise the best possible benefits from the use of timeflow showers, it is important that not only the duration of the flow of water be controlled but also the rate at which the water is flowing. All of the showers in the Reliance timeflow range incorporate an adjustable flow regulator.

Maintenance

Two critical considerations when selecting timeflow controls for use in the commercial arena are the speed and ease of maintenance of the products. All of the Reliance timeflow showers are built using a one piece cartridge principle; this means that only one part needs to be stocked to completely refurbish the inner workings of the shower. This can save an enormous amount of time when servicing the shower as well as simplifying the stocking of spare components.

Water Savings Explained

Dwindling natural resources and the high cost of water and waste treatment, make it now clearer than ever that we must change our usage habits in terms of water control. But how much water can a timeflow control really save?

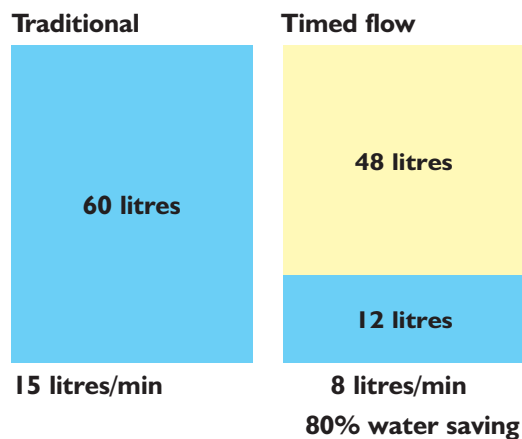
Consider the following example. If we assume that the average person will spend about 4 minutes in a shower in a public facility, with an unregulated shower control running at 15 litres per minute, that person would use 60 litres of water.

If a timeflow shower control was fitted, the person would get wet and start soaping during the first run time of 30 seconds, finish soaping without water running and then rinse off during the second run time of 30 seconds. Perhaps they might activate the control a third time to rinse off any residual soap. With the internal flow regulator set at 8 litres per minute, in this showering scenario the person will have used a maximum of 12 litres. A fourth or fifth activation would still use considerably less water than the unregulated manual shower.

In addition to these substantial savings, the danger with a manual shower is that it can be left on by mistake, or vandalised, potentially wasting huge amounts of water. Timeflow controls protect against this as they automatically shut off after a certain period of time.

Comparison of potential water use for an average length shower in commercial facilities:

Shower Valves:



Timeflow Showers

The Reliance range of timeflow showers are an ideal solution to control and regulate the use of water for ablutionary purposes in commercial, industrial, and leisure applications and can be used in conjunction with Reliance's range of thermostatic mixing valves to give a complete temperature and flow control solution. Timeflow showers have been shown to save up to 80% of the water usage of a conventional shower by automatically shutting off the flow of water after 30 seconds. The cartridge style construction of these showers reduces parts stocking and means that maintenance downtime is kept to a minimum.

Features and Benefits

- **Removable cartridge for easy maintenance or replacement**
- **Internal 4 position flow regulator**
- **Conforms to BS EN 816, the British and European standard for timeflow controls**
- **Saves up to 80% of water usage when compared to conventional showers**
- **Saves energy as well as water when fitted on hot water systems**
- **30 second timed flow rate**

Specifications

Maximum working pressure	6 bar
Minimum working pressure	1 bar
Maximum static pressure	10 bar
Timed flow rate	30 secs (+/- 5)
Maximum temperature	80°C
Minimum temperature	5°C
Flow regulator (in head)	8 lpm
Integral Flow Regulator (in control)	8 lpm

Standards

Conforms to BS EN 816

Approvals

NF

SAI Global

WRAS approval application pending

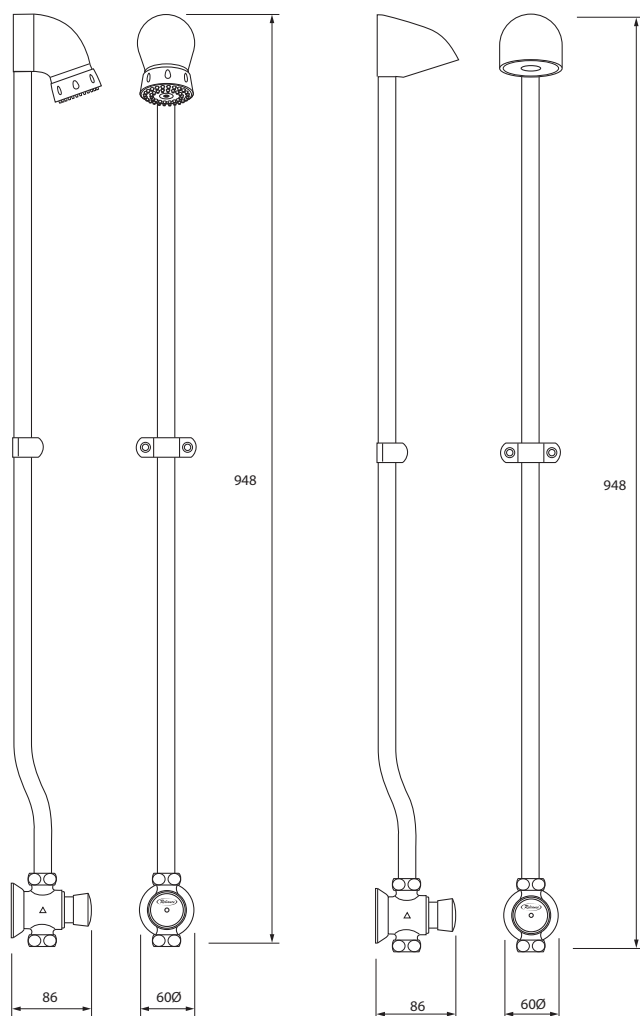
Reliance 503 ER Exposed Timeflow Shower and Riser Sets



Product	Size	Product Code
Reliance 503 ER exposed timeflow shower and directional showerhead and riser kit	15mm	SELF 200 005
Reliance 503 ER exposed timeflow shower and fixed showerhead and riser kit	15mm	SELF 200 010

Specify as

Reliance 503 ER exposed timeflow shower and riser kit (include applicable product code) with wear resistant synthetic ruby, 8 lpm internal flow regulation and fully replaceable cartridge.



All dimensions in mm unless otherwise stated.

Reliance 503 E Exposed Timeflow Showers



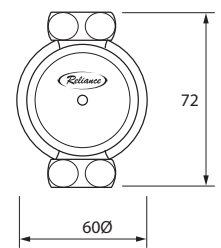
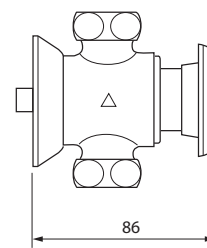
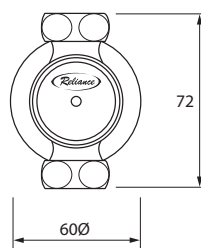
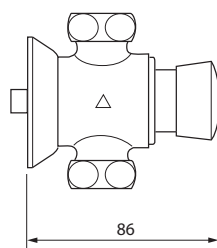
Product	Size	Product Code
Reliance 503 E exposed timeflow shower	15mm	SELF 200 025
Reliance 503 E exposed timeflow shower with large disc	15mm	SELF 200 030

Specify as

Reliance 503 E exposed timeflow showers (include applicable product code) with wear resistant synthetic ruby, 8 lpm internal flow regulator and fully replaceable cartridge.

SELF 200 025

SELF 200 030



All dimensions in mm unless otherwise stated.

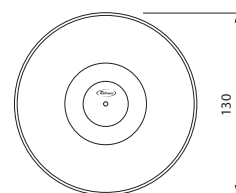
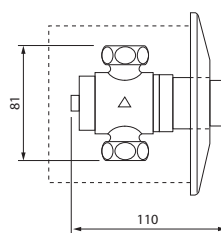
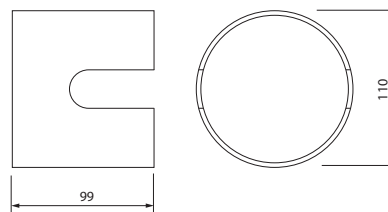
Reliance 503 C Concealed Timeflow Shower



Product	Size	Product Code
Reliance 503 C concealed timeflow shower	15mm	SELF 200 015

Specify as

Reliance 503 C concealed timeflow showers with wear resistant synthetic ruby, 8 lpm internal flow regulator and fully replaceable cartridge.

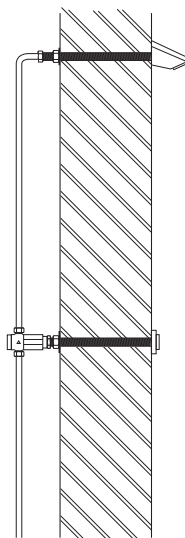


All dimensions in mm unless otherwise stated.

Reliance Cross Wall Timeflow Showers



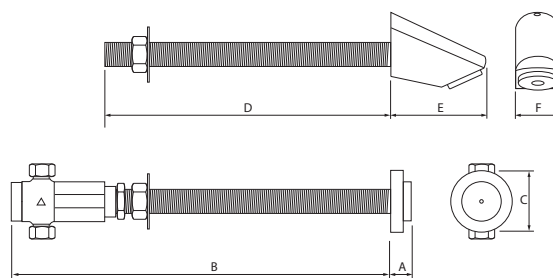
Typical Installation



Product	Size	Product Code
Reliance cross wall timeflow shower control 15-200mm includes showerhead	15mm	SELF 200 035
Reliance cross wall timeflow shower control 200-300mm includes showerhead	15mm	SELF 200 040

Specify as

Reliance cross wall timeflow shower control (include applicable product code) with wear resistant synthetic ruby, 8 lpm internal flow regulator and fully replaceable cartridge.



Product Code	A	B	C	D	E	F
SELF 200 035	22	296	60	220	83	41
SELF 200 040	22	395	60	320	83	41

All dimensions in mm unless otherwise stated.

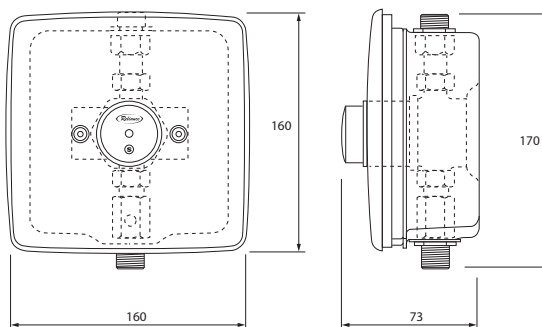
Reliance 500 S C Concealed High Security Timeflow Shower



Product	Size	Product Code
Reliance 500 S C concealed high security timeflow shower	½"MBSP	SELF 200 000

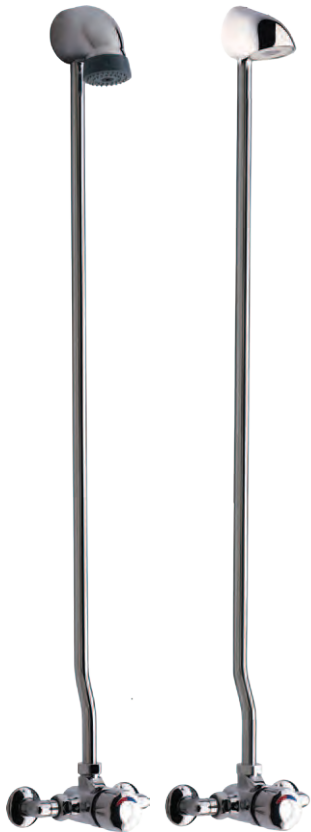
Specify as

Reliance 500 S C concealed high security timeflow showers with wear resistant synthetic ruby, 8 lpm internal flow regulator and fully replaceable cartridge.

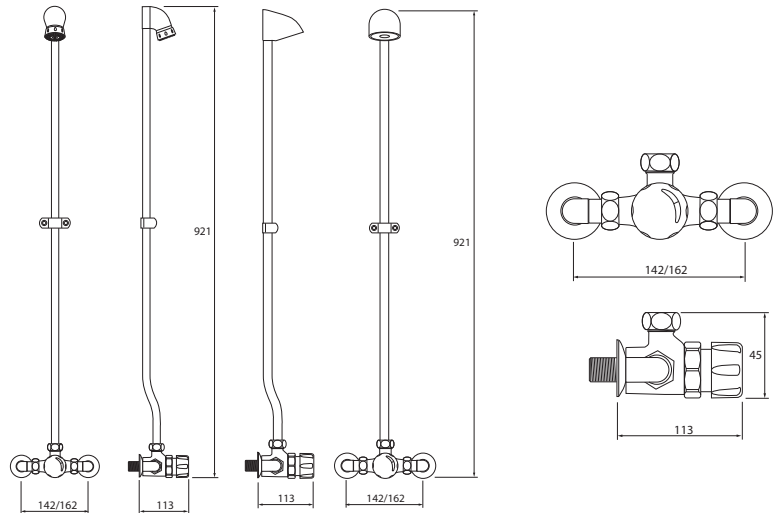


All dimensions in mm unless otherwise stated.

Reliance Exposed Timeflow Shower Mixer



Product	Size	Product Code
Reliance exposed Alfa timeflow mixer shower and directional showerhead and riser kit	15mm	MIXS 200 000
Reliance exposed Alfa timeflow mixer shower and fixed showerhead and riser kit	15mm	MIXS 200 005
Reliance exposed Alfa timeflow mixer shower only with angled connections	15mm	MIXS 200 010



All dimensions in mm unless otherwise stated.

Specify as

Reliance timeflow mixer shower (include applicable part code) with maximum temperature stop with wear resistant synthetic ruby internal 8 lpm flow regulator and angled union connections with/without showerhead and riser kit.



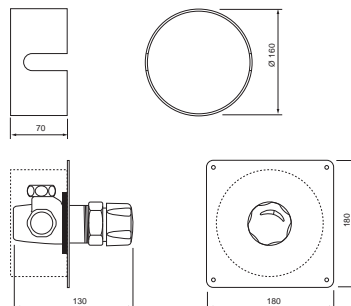
Reliance Concealed Timeflow Shower Mixer



Product	Size	Product Code
Reliance concealed Alfa timeflow mixer shower	1/2"	MIXS 200 020

Specify as

Reliance concealed timeflow mixer shower with maximum temperature stop with wear resistant synthetic ruby internal 8 lpm flow regulator and union connections.



All dimensions in mm unless otherwise stated.

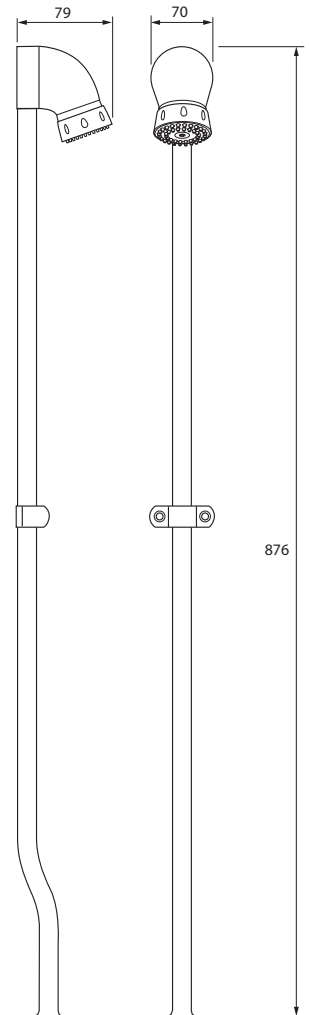
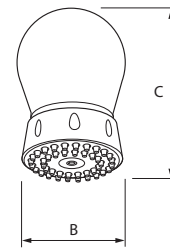
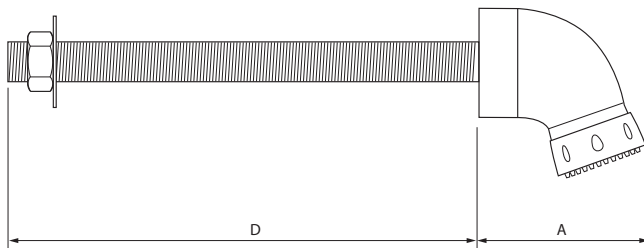
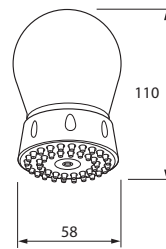
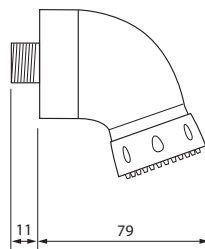
Scale Resistant Adjustable Showerheads



Product	Size	Product Code
Fixed showerhead with scale resistant directional grid back inlet solid wall	1/2"	HEAD 300 000
Fixed showerhead with scale resistant directional grid with riser tube and clamp	3/4" union nut	HEAD 300 005
Fixed showerhead with scale resistant directional grid for wall < 15mm	1/2"	HEAD 300 010
Fixed showerhead with scale resistant directional grid for wall < 200mm	1/2"	HEAD 300 015
Fixed showerhead with scale resistant directional grid for wall < 300mm	1/2"	HEAD 300 020

Specify as

Reliance fixed showerhead with scale resistant directional grid (include applicable product code) includes internal 8 lpm flow regulator.



Product Code	A	B	C	D
HEAD 300 010	79	58	110	28
HEAD 300 015	79	58	110	220
HEAD 300 020	79	58	110	320

All dimensions in mm unless otherwise stated.

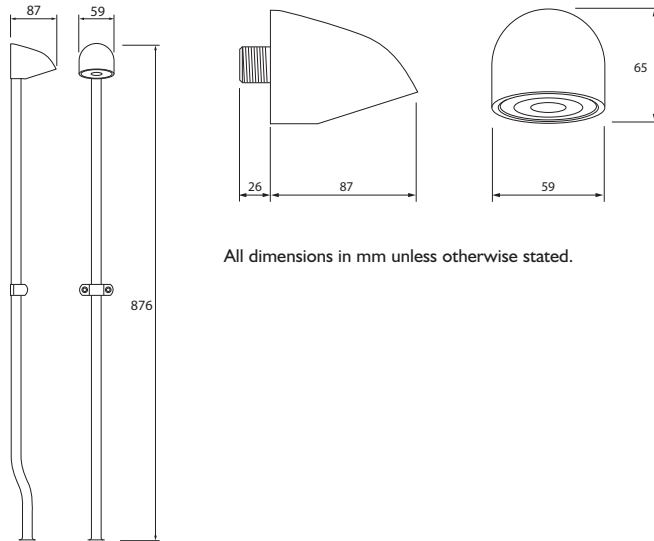
Fixed Showerheads



Product	Size	Product Code
Fixed showerhead back inlet solid wall	1/2"	HEAD 300 040
Fixed showerhead with riser tube and clamp	3/4" union nut	HEAD 300 045

Specify as

Reliance fixed showerhead (include applicable product code) back inlet solid wall/with riser tube and clamp (delete as appropriate).



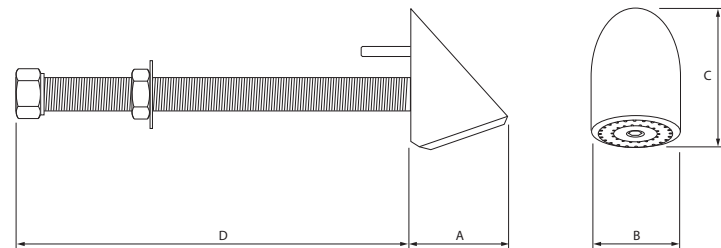
Vandal-Proof Showerheads



Product	Size	Product Code
Vandal proof fixed showerheads 0-200mm wall	1/2"	HEAD 300 050
Vandal proof fixed showerheads 200-300mm wall	1/2"	HEAD 300 055

Specify as

Reliance vandal proof fixed showerheads (include applicable product code) 0-200mm wall/200-300mm wall (delete as appropriate) complete with internal 8 lpm flow regulator.



Product Code	A	B	C	D
HEAD 300 050	37	36	57	223
HEAD 300 055	37	36	57	323

All dimensions in mm unless otherwise stated.

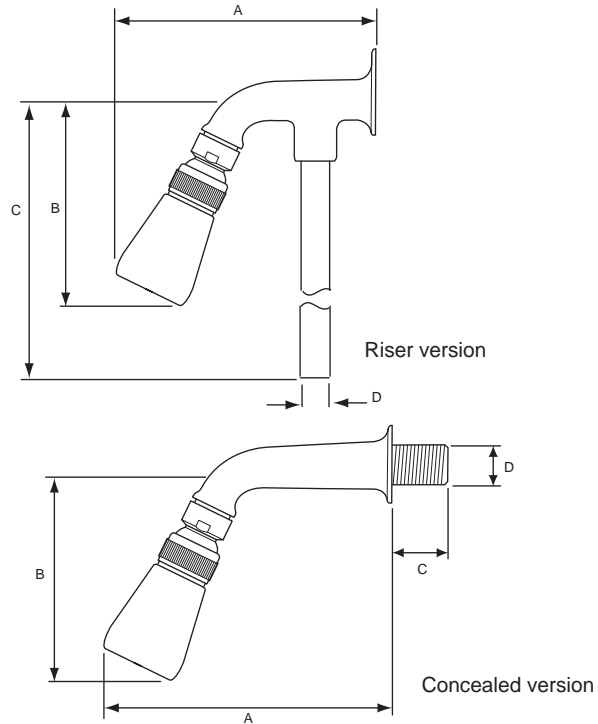
Traditional Showerheads



Product	Size	Product Code
Traditional spray exposed, head, arm and riser	15mm	HEAD 100 003
Traditional spray concealed, head and arm	½"MBSP	HEAD 100 002
Traditional spray head only	½"FBSP	HEAD 100 001

Specify as

Reliance traditional spray showerhead (include applicable product code).



Product Code	A	B	C	D
Riser version	150	100	928	15mm
Concealed version	150	105	30	M½"

All dimensions in mm unless otherwise stated.

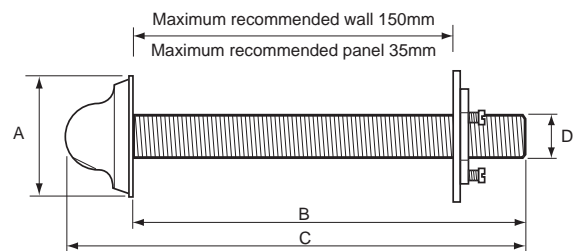
Anti-Ligature Showerheads



Product	Size	Product Code
Cross wall anti-ligature showerhead I-150mm	½"MBSP	SENS 510 115
Panel mount anti-ligature showerhead I-50mm	½"MBSP	SENS 510 120

Specify as

Reliance anti-ligature showerhead (include applicable product code) complete with internal 8 lpm flow regulator.



Product Code	A	B	C	D
Through-wall version	60	185	223	½"
Panel Mount version	60	50	88	½"

All dimensions in mm unless otherwise stated.

TIMEFLOW SHOWER CONTROLS AND SHOWERHEADS



Reliance Water Controls Ltd

A Reliance Worldwide Company

Worcester Road, Evesham,
Worcestershire, WR11 4RA, UK

UK - Freephone: 0800 389 5931
Freefax: 0800 389 5932
Outside UK - Tel: +44 (0) 1386 712400
Fax: +44 (0) 1386 712401

Email: sales@rwc.co.uk

www.rwc.co.uk

Reliance has prepared the content of this document carefully but disclaims all warranties, express or implied, as to the accuracy of the information contained herein. Reliance reserves the right to make changes to the product and the information contained in this document at any time.

TFLOSHOW-001-05/11

© Reliance Water Controls Ltd 2011