

Plastic Pipe Valves (PPV)

Edition 1



The definitive guide to Plastic Pipe Valves



MYSON

Plastic Pipe Valves (PPV)

Maximum versatility, minimum fuss – your total solution for plastic

Only Myson Controls offer a complete range of plastic pipe valves that fit all manufacturer's BS 10mm and 15mm tube.

The Myson PPV range of both thermostatic and manual radiator valves has been designed in conjunction with heating engineers, national house builders and plastic pipe manufacturers. This has resulted in versatile and attractive ranges with both 'Pushfit' and compression connections specifically for use on central heating systems where plastic pipe or copper has been specified. Up, down, back, front, left, right, vertical or horizontal the Myson Controls PPV range covers them all.

Introducing the new Integral Pushfit 90

The latest addition to the Myson PPV range is the Integral Pushfit 90. This will be available for chrome TRV's, Matchmaster and the new slimline decorative range.

- **Attractive design**
- **Integral all in one valve – no separate elbow**
- **Double EPDM 'O' ring for added security**
- **Impact resistant connection, with flexibility for life**



Pushfit Compression Boxed in 50's. No minimum order quantity.



Description:	Contract Nickel Pushfit 90 TRV
Size:	10mm
Order Code:	2TRV10NPF90



Description:	Chrome Pushfit 90 TRV
Size:	10mm
Order Code:	2TRV10CPF90



Description:	Contract Nickel Pushfit 90 TRV
Size:	15mm
Order Code:	2TRV15NPF90



Description:	Chrome Pushfit 90 TRV
Size:	15mm
Order Code:	2TRV15CPF90



Description:	Contract Nickel Pushfit TRV
Size:	10mm
Order Code:	2TRV10NPF



Description:	Chrome Pushfit TRV
Size:	10mm
Order Code:	2TRV10CPF



Description:	Contract Nickel Pushfit TRV
Size:	15mm
Order Code:	2TRV15NPF



Description:	Chrome Pushfit TRV
Size:	15mm
Order Code:	2TRV15CPF



Description:	Chrome Straight Pushfit 90 TRV
Size:	10mm
Order Code:	2TRV10SCPF90



Description: Chrome Straight Pushfit 90 TRV
 Size: 15mm
 Order Code: 2TRV15SCPF90



Description: Chrome Straight Pushfit TRV
 Size: 10mm
 Order Code: 2TRV10SCPF



Description: Contract Nickel Compression 90 TRV
 Size: 10mm
 Order Code: 2TRV10N90



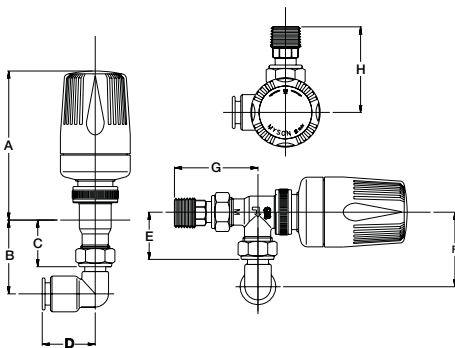
Description: Chrome Compression 90 TRV
 Size: 10mm
 Order Code: 2TRV10C90



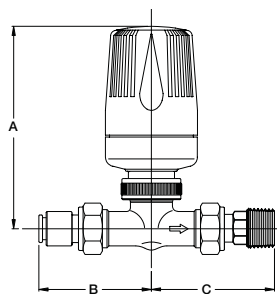
Description: Contract Nickel Compression TRV
 Size: 10mm
 Order Code: 2TRV10N



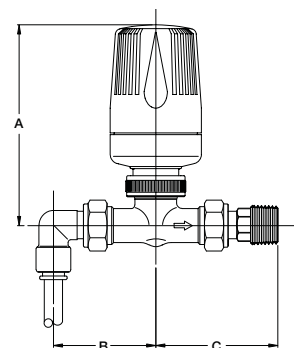
Description: Chrome Compression TRV
 Size: 10mm
 Order Code: 2TRV10C



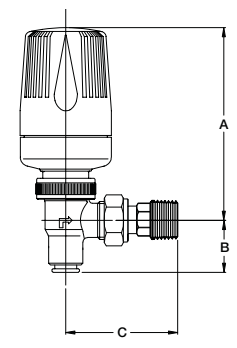
Order code	A	B	C	D	E	F	G	H
2TRV10 NPF90	107	50	33	30	34	50	60	61
2TRV10 CPF90	107	50	33	30	34	50	60	61
2TRV15 NPF90	107	53	33	38	34	53	60	61
2TRV15 CPF90	107	53	33	38	34	53	60	61
2TRV10 N90	107	50	33	31	34	50	60	61
2TRV10 C90	107	50	33	31	34	50	60	61



Order code	A	B	C
2TRV10 SCPF	110	61	67



Order code	A	B	C
2TRV10 SCPF90	110	56	67
2TRV15 SCPF90	110	59	67



Order code	A	B	C
2TRV10 N	107	31	60
2TRV10 C	107	31	60
2TRV10 CPF	107	28	60
2TRV10 NPF	107	28	60
2TRV15 NPF	107	37	60
2TRV15 CPF	107	37	60

WORKING SPECIFICATION

Maximum operating pressure Compression 10 Bar
 Maximum operating pressure Pushfit connection 3 Bar
 TRV2 Way maximum differential pressure 0.6 Bar

Maximum water temperature 120°C
 Maximum water temperature pushfit connection 92°C
 Conforms to BS EN215-1

■ Pushfit
 ■ Compression
 Minimum order quantity box of 20.



Description:	Angle Nickel Pushfit 90 Wheel Head
Size:	10mm
Order Code:	MMI0WANPF90



Description:	Angle Nickel Pushfit 90 Lockshield
Size:	10mm
Order Code:	MMI0LANPF90



Description:	Angle Nickel Pushfit 90 with Drain Off Lockshield
Size:	10mm
Order Code:	MMI0LANDPF90



Description:	Angle Nickel Pushfit Wheel Head
Size:	10mm
Order Code:	MMI0WANPF



Description:	Angle Nickel Pushfit Lockshield
Size:	10mm
Order Code:	MMI0LANPF



Description:	Angle Nickel Pushfit with Drain Off Lockshield
Size:	10mm
Order Code:	MMI0LANDPF



Description:	Angle Nickel Pushfit 90 Wheel Head
Size:	15mm
Order Code:	MMI5WANPF90



Description:	Angle Nickel Pushfit 90 Lockshield
Size:	15mm
Order Code:	MMI5LANPF90



Description:	Angle Nickel Pushfit 90 with Drain Off Lockshield
Size:	15mm
Order Code:	MMI5LANDPF90



Description: Angle Nickel Pushfit Wheel Head
 Size: 15mm
 Order Code: MM15WANPF



Description: Angle Nickel Pushfit Lockshield
 Size: 15mm
 Order Code: MM15LANPF



Description: Straight Nickel Pushfit Wheel Head
 Size: 10mm
 Order Code: MM10WSNPF



Description: Straight Nickel Pushfit Lockshield
 Size: 10mm
 Order Code: MM10LSNPF



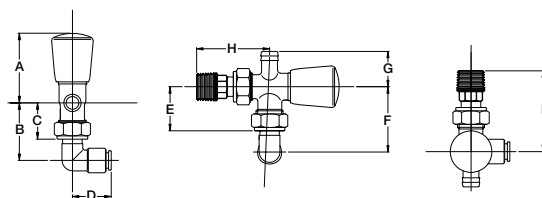
Description: Angle Nickel Compression 90 Wheel Head
 Size: 10mm
 Order Code: MM10WAN90



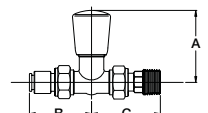
Description: Angle Nickel Compression 90 Lockshield
 Size: 10mm
 Order Code: MM10LAN90



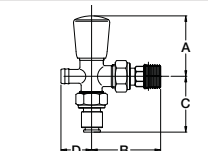
Description: Angle Nickel Compression 90 with Drain Off Lockshield
 Size: 10mm
 Order Code: MM10LAND90



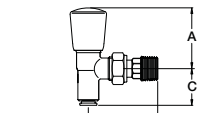
Order code	A	B	C	D	E	F	G	H	I
MM10WANPF90	54	44	28	30	34	50	-	56	62
MM10LANPF90	54	44	28	30	34	50	-	56	62
MM10LANDPF90	54	44	28	30	34	50	27	56	62
MM15WANPF90	54	44	28	38	34	53	-	56	62
MM15LANPF90	54	44	28	38	34	53	-	56	62
MM15LANDPF90	54	44	28	38	34	53	27	56	62
MM10WAN90	54	44	28	31	34	50	-	56	62
MM10LAN90	54	44	28	31	34	50	-	56	62
MM10LAND90	54	44	28	31	34	50	27	56	62



Order code	A	B	C
MM10WSNPF	61	53	58
MM10LSNPF	61	53	58



Order code	A	B	C	D
MM10LANDPF	53	61	50	27



Order code	A	B	C
MM10WANPF	53	61	33
MM10LANPF	53	61	33
MM15WANPF	53	61	40
MM15LANPF	53	61	40

WORKING SPECIFICATION

Maximum operating pressure Compression 10 Bar Maximum water temperature pushfit connection 92°C
 Maximum operating pressure Pushfit connection 3 Bar Tested in accordance with BS 2767-10
 Maximum water temperature 120°C

■ Pushfit
 ■ Compression
 Minimum order quantity box of 20.



Description:	Angle Chrome Pushfit 90 Wheel Head
Size:	10mm
Order Code:	MR10WACPF90



Description:	Angle Chrome Pushfit 90 Lockshield
Size:	10mm
Order Code:	MR10LACPF90



Description:	Angle Chrome Pushfit 90 Wheel Head
Size:	15mm
Order Code:	MR15WACPF90



Description:	Angle Chrome Pushfit 90 Lockshield
Size:	15mm
Order Code:	MR15LACPF90



Description:	Angle Chrome Pushfit 90 with Drain Off Lockshield
Size:	10mm
Order Code:	MR10LACDPF90



Description:	Angle Chrome Pushfit 90 with Drain Off Lockshield
Size:	15mm
Order Code:	MR15LACDPF90



Description:	Straight Chrome Pushfit Wheel Head
Size:	10mm
Order Code:	MR10WSCP



Description:	Straight Chrome Pushfit Lockshield
Size:	10mm
Order Code:	MR10LSCP



Description:	Straight Chrome Pushfit 90 Wheel Head
Size:	10mm
Order Code:	MR10WSCP90



Description:	Straight Chrome Pushfit 90 Lockshield
Size:	10mm
Order Code:	MR10LSCPF90



Description:	Straight Chrome Pushfit 90 Wheel Head
Size:	15mm
Order Code:	MR15WSCPF90



Description:	Straight Chrome Pushfit 90 Lockshield
Size:	15mm
Order Code:	MR15LSCPF90



Description:	Angle Chrome Pushfit Wheel Head
Size:	10mm
Order Code:	MR10WACPF



Description:	Angle Chrome Pushfit Lockshield
Size:	10mm
Order Code:	MR10LACPF



Description:	Angle Chrome Pushfit with Drain Off Lockshield
Size:	10mm
Order Code:	MR10LACDPF



Description:	Angle Chrome Pushfit Wheel Head
Size:	15mm
Order Code:	MR15WACPF



Description:	Angle Chrome Pushfit Lockshield
Size:	15mm
Order Code:	MR15LACPF



Description:	Angle Chrome Pushfit with Drain Off Lockshield
Size:	15mm
Order Code:	MR15LACDPF



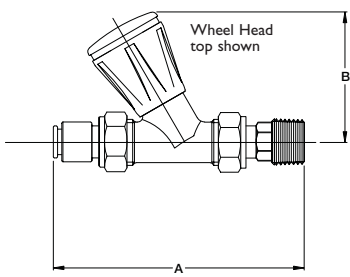
Description: Angle Chrome Compression 90 Wheel Head
 Size: 10mm
 Order Code: MR10WAC90



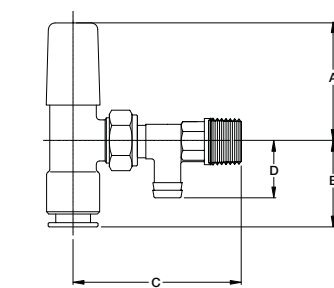
Description: Angle Chrome Compression 90 Lockshield
 Size: 10mm
 Order Code: MR10LAC90



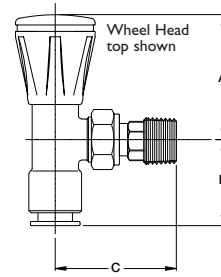
Description: Angle Chrome Compression 90 with Drain Off Lockshield
 Size: 10mm
 Order Code: MR10LACD90



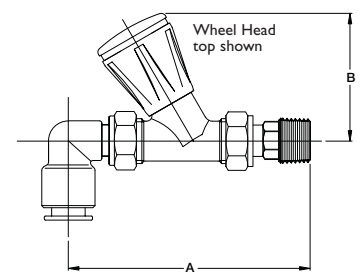
Order code	A	B
MR10WSCP	118	61
MR10LSCP	118	55



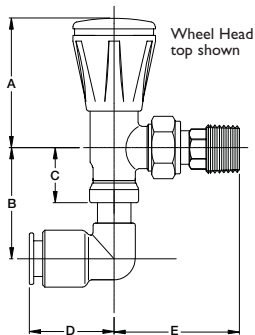
Order code	A	B	C	D
MR10LACDP	53	32	78	27
MR15LACDP	53	40	78	27



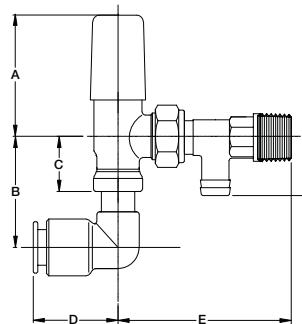
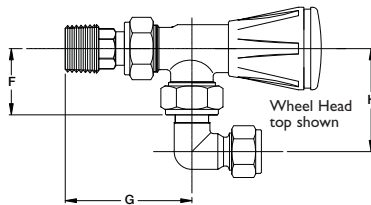
Order code	A	B	C
MR10WACP	58	32	56
MR10LACP	53	32	56
MR15WACP	58	40	56
MR15LACP	53	40	56



Order code	A	B
MR10WSCP90	112	61
MR10LSCP90	112	55
MR15WSCP90	116	61
MR15LSCP90	116	55



Order code	A	B	C	D	E	F	G	H
MR10WACPF90	58	50	30	30	56	30	-	-
MR10LACPF90	53	50	30	30	56	30	-	-
MR15WACPF90	58	53	30	38	56	30	-	-
MR15LACPF90	53	53	30	38	56	30	-	-
MR10WAC90	58	47	30	31	56	30	57	46
MR10LAC90	53	47	30	31	56	30	57	46



Order code	A	B	C	D	E	F	G	H	I
MR10LACDPF90	53	50	25	30	78	-	-	-	27
MR15LACDPF90	53	53	25	38	78	-	-	-	27
MR10LACD90	53	47	30	31	78	30	78	46	27

WORKING SPECIFICATION

Maximum operating pressure Compression 10 Bar
 Maximum operating pressure Pushfit connection 3 Bar
 Maximum water temperature 120°C

Maximum water temperature pushfit connection 92°C
 Conforms to BS 2767-10

 Pushfit only Individually boxed. No minimum order quantity.



Description:	Angle Polished Pushfit 90 Chrome WH/LS
Size:	10mm
Order Code:	DECSLI0HACPF90



Description:	Angle Polished Pushfit 90 Chrome WH/LS
Size:	15mm
Order Code:	DECSLI5HACPF90



Description:	Straight Polished Pushfit 90 Chrome WH/LS
Size:	10mm
Order Code:	DECSLI0HSCPF90



Description:	Polished Chrome Pushfit 90 Straight WH/LS
Size:	15mm
Order Code:	DECSLI5HSCPF90



Description:	Polished Chrome Pushfit 90 TRV
Size:	10mm
Order Code:	TRVSLI0DECPF90



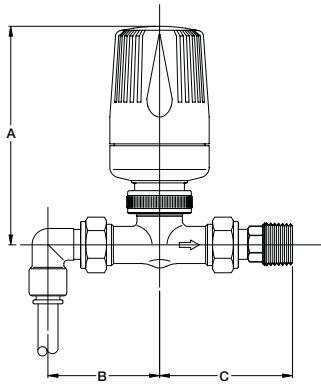
Description:	Polished Chrome Straight Pushfit 90 TRV
Size:	10mm
Order Code:	TRVSLI0STDECPF90



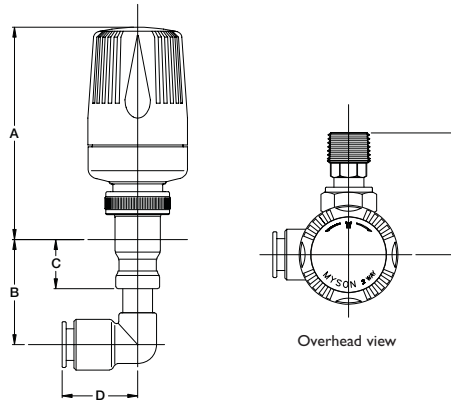
Description:	Polished Chrome Pushfit 90 TRV
Size:	15mm
Order Code:	TRVSLI5DECPF90



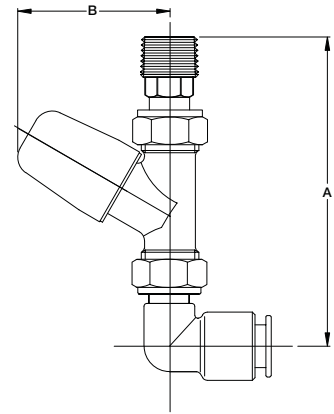
Description:	Polished Chrome Straight Pushfit 90 TRV
Size:	15mm
Order Code:	TRVSLI5STDECPF90



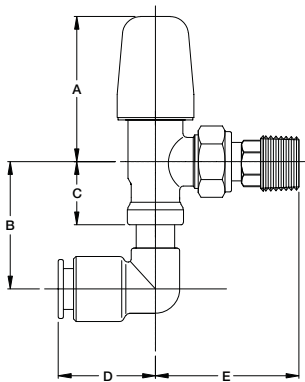
Order code	A	B	C
TRVSLI5STDECPF90	110	59	67
TRVSLI0STDECPF90	110	56	67



Order code	A	B	C	D	E
TRVSLI5DECPF90	107	50	33	30	34
TRVSLI0DECPF90	107	53	33	38	34



Order code	A	B
DECCLI0HSCPF90	112	57
DECCLI5HSCPF90	116	57



Order code	A	B	C	D	E
DECCLI0HACPF90	53	50	25	30	56
DECCLI5HACPF90	53	50	25	30	56

WORKING SPECIFICATION

Maximum operating pressure
 Maximum operating pressure Pushfit connection
 Maximum water temperature
 Maximum water temperature pushfit connection

10 Bar
 3 Bar
 120°C
 92°C

Maximum differential pressure (TRV)
 Conforms to (TRV)
 Conforms to (Handwheel/Lockshield)
 Finish options

0.6 Bar
 BS EN215
 BS 2767-10
 Polished Chrome



MYSON

MYSON Eastern Avenue, Team Valley, Gateshead, Tyne & Wear NE11 0PG
Sales Office 0845 402 3434, Sales Fax 0191 491 7568, www.myson.co.uk

In accordance with our policy of continual product improvement, we reserve the right to amend the specification of these products without prior notification.