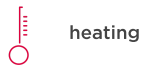
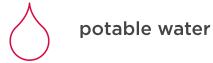


## Pegler Gate Valve



group: 63 category: valves product line: VSH Prestex Gate Valve

### applications



### segments



### approvals



### assortment

item number	size	dimensions	weight	packaging	gtin
506007	15	100x20x99 mm	0.3 kg	box (10 pce)	05013866006050
506008	22	110x55x114 mm	0.46 kg	box (10 pce)	05013866006067
506009	28	130x20x137 mm	0.72 kg	box (5 pce)	05013866006074
506010	35	150x90x156 mm	1.23 kg	box (2 pce)	05013866006081

### specifications - characteristics

color	brass
materials	brass (CW617N)
finishing	none
shape	straight (0°)
connection type	compression
pressure rating (PN)	PN 16
sealing	PTFE

### specifications - general

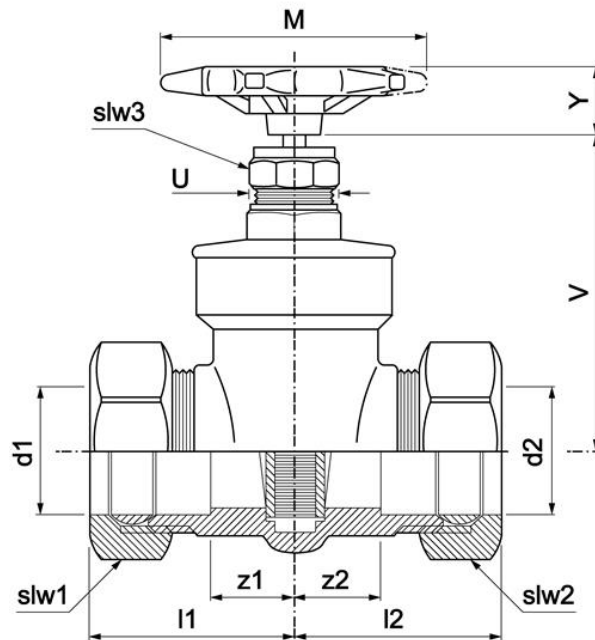
product group	valves (gate valves)
ETIM class	ECO10163 Gate valve
HS code	84818069
brand	VSH
series	Prestex Gate Valve
product type	63
UNSPS	40141613

### specifications - technical

max operating pressure liquid	16 bar
min. medium temperature	30 °C
max medium temperature	120 °C
peak medium temperature	120 °C
Kvs-value	

item number	size	d1	DN1	l1	z1	slw1	d2	DN2	l2	z2	slw2	M	H
506007	15	15.0	DN15	35	14	25	15.0	DN15	35	14	25	60	83
506008	22	22.0	DN20	40	18	32	22.0	DN20	40	18	32	60	93
506009	28	28.0	DN25	46	22	41	28.0	DN25	46	22	41	70	111
506010	35	35.0	DN32	53	26	50	35.0	DN32	53	26	50	75	124

item number	size	h2	V	U	a
506007	15	18	66	33	90
506008	22	18	77	40	90
506009	28	14	98	48	90
506010	35	15	111	57	90



downloads

[63\\_Gatevalve\\_BS\\_5154B - jpg](#)

[Diagram - jpg](#)

[Pegler Valve Installation Instructions - pdf](#)