



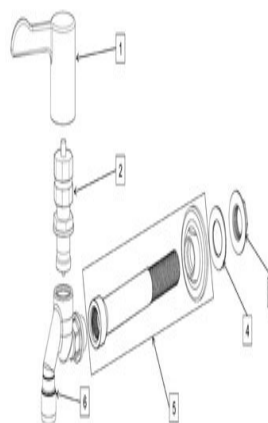
Healthcare + Extended Bibtap

GENERAL INFORMATION

Pattern No. key :CP : Chrome Plated

Size	Pattern No.	Pack 1 Qty	Code	Barcode
na	Extended Bibtap CP Pair	1	360108	5022050158352

SPARES



1

Pattern / Size	Description	Code	Barcode	Date From	Date To
Extended Bibtap CP Pair / na	HDH59CP Handle with Screw Hot	854700	5022050218032	01/01/1900	current
Extended Bibtap CP Pair / na	HDC59CP Handle with Screw Cold	854701	5022050222459	01/01/1900	current

2

Pattern / Size	Description	Code	Barcode	Date From	Date To
Extended Bibtap CP Pair / na	HKH20 COMPLETE HEADWORK HOT	850859	5013866062704	01/01/1900	current
Extended Bibtap CP Pair / na	HKC20 COMPLETE HEADWORK COLD	850868	5013866062797	01/01/1900	current

3

Pattern / Size	Description	Code	Barcode	Date From	Date To
Extended Bibtap CP Pair / na	1/2 BN 915L BACKNUT	817074	5013866023385	01/01/1900	current

4

Pattern / Size	Description	Code	Barcode	Date From	Date To
Extended Bibtap CP Pair / na	ARW2 1/2 ANTI ROTATIONAL WASHER	814162	5013866056758	01/01/1900	current

5

Pattern / Size	Description	Code	Barcode	Date From	Date To
Extended Bibtap CP Pair / na	EX2 EXTENSION	850875	5013866062865	01/01/1900	current

6

Pattern / Size	Description	Code	Barcode	Date From	Date To
Extended Bibtap CP Pair / na	FR4 FLOW REGULATOR	850869	5013866062803	01/01/1900	current

7 not shown

Pattern / Size	Description	Code	Barcode	Date From	Date To
Extended Bibtap CP Pair / na	SK5 SEAL KIT	850860	5013866062711	01/01/1900	current

CARE & MAINTENANCE

Care

To maintain the surface finish, simply wipe occasionally with a mild detergent on a soft damp cloth. Dry, using a soft cloth. Never use abrasive cleaners or chemical household cleaners and avoid contact with concentrated bleach.

Maintenance

No regular maintenance is required for this product.

In case of complete replacement Pegler recommend service valves should be fitted to the supply inlets.

For any further help or replacement parts please contact the Service Support Team on 0800 1560050.

GUARANTEE

Luxury Taps and Mixers

Pegler Yorkshire Customcare 5 Year Guarantee - Terms and Conditions

Product are subject to a 5 year guarantee that is between Pegler Yorkshire and the final purchaser of the product.

The guarantee is subject to proof of purchase being supplied.

This guarantee does not affect any statutory rights the consumer may have in law.

The guarantee covers manufacturing or material defects and does not cover parts subject to normal wear and tear.

Finishes other than chrome are covered for a period of 3 years only and the guarantee on the finish is subject to the cleaning instructions being followed.

The guarantee is not applicable where the product is fitted contrary to the conditions in the fitting instructions.

Abusive behaviour and accidental damage to the product are not covered by this guarantee.

The extent of this liability is limited to the cost of the replacement of the defective item and not to fitting or consequential damages.

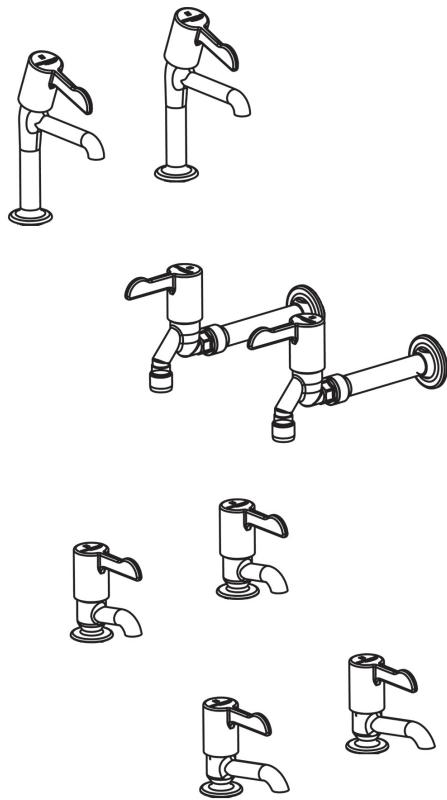


[WRAS Performa 360108](#)
[Wall Mounted Bibtap](#)

Performa

HEALTHCARE+

WRAS
APPROVED
PRODUCT



RANGE OF HOSPITAL TAPS

INSTALLATION, CARE & MAINTENANCE

MODELS COVERED:

- 360103 BASIN TAP PAIR
- 360104 SINK PILLAR TAP PAIR
- 360108 EXTENDED BIB TAP PAIR
- 360109 LONG NOSE BASIN TAP PAIR
- 360122 ANTI-MICROBIAL BASIN TAP PAIR
- 360123 ANTI-MICROBIAL LONG NOSE BASIN TAP PAIR
- 360124 ANTI-MICROBIAL SINK PILLAR TAP PAIR



Pegler Yorkshire

1.0 PRE-INSTALLATION CHECKS

Only fit the Healthcare+ taps to the following installations:

Minimum Pressure	0.1 bar dynamic
Maximum Pressure	10 bar static
Maximum Temperature	65°C

2.0 FITTING INSTRUCTIONS

- Flush the pipe work thoroughly to prevent debris getting trapped in the taps
- It is recommended that conveniently situated servicing valves are fitted (not supplied)
- All installations should comply with the local water regulation guidelines
- Clean and dry the ware before fitting; be sure to remove any removing sealants from prior installations
- Fit tap through the ware and tighten using back nut
- A bead of silicone sealant may be used to ensure a watertight connection
- Fit tap to the water supply using normal plumbing practice with hot and cold on the correct feed
- Turn on the water supply and check for any leaks

3.0 CLEANING INSTRUCTIONS

- These taps can be easily cleaned using a soft damp cloth
- Do not use any abrasive cleaners

4.0 OPERATING INSTRUCTIONS

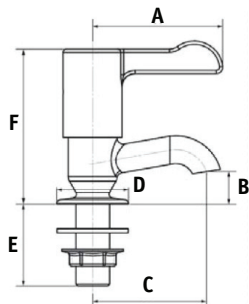
- This product should be fitted so that the product is in the OFF position when the LEVERS are parallel to the wall
- Should this need further adjustment, remove the handle by loosening the GRUB SCREW at the rear of the HANDLE using a 2mm ALLEN KEY and pulling directly upwards. Replace the HANDLE in the desired position and tighten the SCREW.

5.0 ANTIMICROBIAL BENEFITS

Antimicrobial copper is the material on the touchable surfaces that continuously kills 99.9% of bacteria within 2 hours of contact. These include MRSA, Vancomycin-resistant Enterococcus faecalis (VRE), Staphylococcus aureus, Enterobacter aerogenes, Pseudomonas aeruginosa and E. Coli O157:H7.

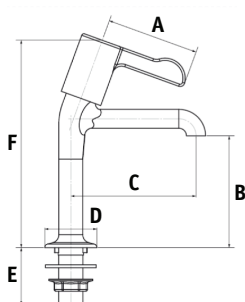
6.0 PRODUCT DIMENSIONS

360103 & 360122



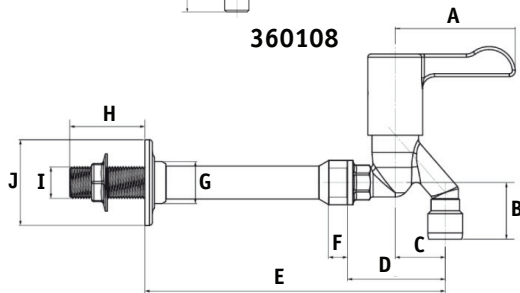
360103 & 360122 Dimensions (mm)		
Sizes	Chrome Plated	Antimicrobial Copper
A	80	72
B	20	20
C	70 CRS	70 CRS
D	∅44	∅44
E	50	50
F	95	95

360104 & 360124



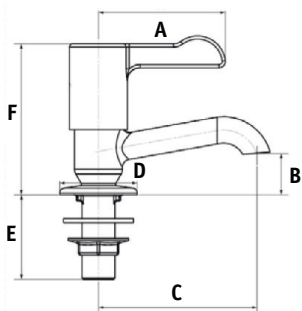
360104 & 360124 Dimensions (mm)		
Sizes	Chrome Plated	Antimicrobial Copper
A	80	72
B	96	96
C	101.5 CRS	101.5 CRS
D	∅45.5	∅45.5
E	50	50
F	181	181

360108



360108 Dimensions (mm)			
Sizes			
A	80	F	12.7
B	37	G	28 A/F
C	33.5	H	50
D	65	I	1/2" BSP
E	200	J	∅57

360109 & 360123



360109 & 360123 Dimensions (mm)		
Sizes	Chrome Plated	Antimicrobial Copper
A	80	72
B	26	26
C	100 CRS	100 CRS
D	∅49	∅49
E	50	50
F	95	95



Pegler Yorkshire

eControl

Tectite

XPress

Henco

Terrier

Meibes

Ballorex

Pegler

Prestex

Yorkshire

Kuterlite

Endex

Francis Pegler

Performa



UK Sales

Free Phone: 0800 156 0010

Free Fax: 0808 156 1011

Email: uk.sales@pegleryorkshire.co.uk

Export

Tel: +44 (0) 1302 855 656

Fax: +44 (0) 1302 730 513

Email: export@pegleryorkshire.co.uk

Technical Help

Free Phone: 0800 156 0050

Free Fax: 0808 156 1012

Email: tech.help@pegleryorkshire.co.uk

Brochure Hotline

Free Phone: 0800 156 0020

Free Fax: 0808 156 1011

Email: info@pegleryorkshire.co.uk

www.pegleryorkshire.co.uk

Pegler Yorkshire Group Limited

St. Catherine's Avenue, Doncaster,

South Yorkshire, DN4 8DF, England.

Tel: 0844 243 4400 Fax: 0844 243 9870

All brand names and logo styles are registered trademarks. Maintaining a policy of continual product development, Pegler Yorkshire reserves the right to change specifications, design and materials of products listed in this leaflet without prior notice.

code ref: ??????????