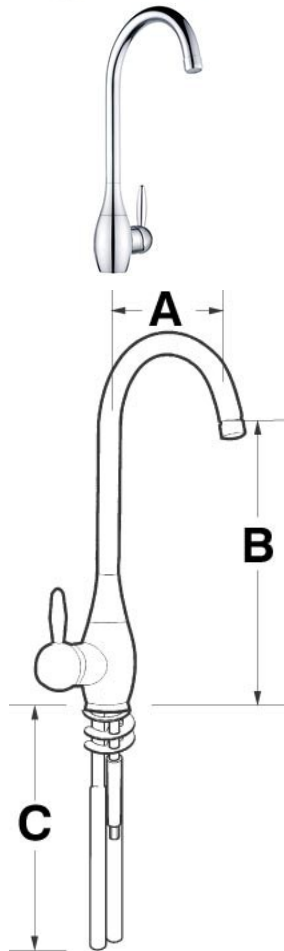


Single Lever Monobloc Sink Mixer



Iconic Single Lever Monobloc Sink Mixer

GENERAL INFORMATION

Pattern No. key :CP = Chrome Plate, SC = Satin Chrome

Size	Pattern No.	Pack 1 Qty	Code	Barcode	Discontinued
NA	Single Lever Monobloc Sink Mixer CP	1	4P1121	5013866044656	
NA	Single Lever Monobloc Sink Mixer SC	1	4P1122	5013866044663	14/05/2010
NA	Single Lever Monobloc Sink Mixer Metallic	0	4P1123	5022050296450	31/10/2004

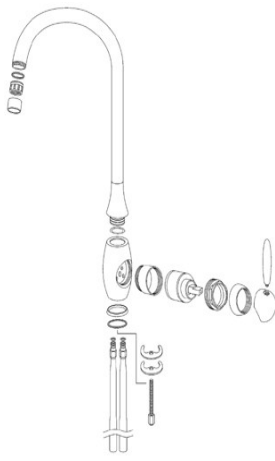
DIMENSIONS (mm)

Code	Description	A	B	C
4P1121	ICONIC CP SINGLE LEVER MONO SINK MIXER	180	270	230

PRESSURE & TEMPERATURE

Single Lever Monobloc Sink Mixer	Minimum Operating Pressure (bar)	Maximum Cold Working Pressure (bar)	Maximum Hot Working Pressure (bar)
ICONIC CP SINGLE LEVER MONO SINK MIXER	0.2 bar	6.0 bar at temperatures up to 85oC	Not Suitable for Maximum Hot Working Pressure

SPARES



1					
Pattern / Size	Description	Code	Barcode	Date From	Date To
Single Lever Monobloc Sink Mixer CP / NA	FS62CP FLOW STRAIGHTENER CHROME	854085	5013866064807	01/01/1900	current
Single Lever Monobloc Sink Mixer SC / NA	FS62SC FLOW STRAIGHTENER SATIN CHROME - DISCONTINUED	854086	5013866064814	01/01/1900	10/02/2010
Single Lever Monobloc Sink Mixer Metallic / NA	FS62 FLOW STRAIGHTENER METALLIC	854087	5013866064821	01/01/1900	current

2					
Pattern / Size	Description	Code	Barcode	Date From	Date To
Single Lever Monobloc Sink Mixer CP / NA	ORS20 O RING SET	854091	5013866064869	01/01/1900	current
Single Lever Monobloc Sink Mixer SC / NA	ORS20 O RING SET	854091	5013866064869	01/01/1900	current
Single Lever Monobloc Sink Mixer Metallic / NA	ORS20 O RING SET	854091	5013866064869	01/01/1900	current

3					
Pattern / Size	Description	Code	Barcode	Date From	Date To
Single Lever Monobloc Sink Mixer CP / NA	HK77 HEADWORK CARTRIDGE	854088	5013866064838	01/01/1900	current
Single Lever Monobloc Sink Mixer SC / NA	HK77 HEADWORK CARTRIDGE	854088	5013866064838	01/01/1900	current
Single Lever Monobloc Sink Mixer Metallic / NA	HK77 HEADWORK CARTRIDGE	854088	5013866064838	01/01/1900	current

4					
Pattern / Size	Description	Code	Barcode	Date From	Date To
Single Lever Monobloc Sink Mixer CP / NA	FL23CP BASE RING CHROME	854076	5013866064739	01/01/1900	current
Single Lever Monobloc Sink Mixer SC / NA	FL23SC BASE RING SATIN CHROME - DISCONTINUED	854077	5013866064746	01/01/1900	10/02/2010
Single Lever Monobloc Sink Mixer Metallic / NA	FL23 BASE RING METALLIC	854078	5013866064753	01/01/1900	current

5					
Pattern / Size	Description	Code	Barcode	Date From	Date To
Single Lever Monobloc Sink Mixer CP / NA	IT14 INLET TAILS PAIR	854066	5013866064630	01/01/1900	current
Single Lever Monobloc Sink Mixer SC / NA	IT14 INLET TAILS PAIR	854066	5013866064630	01/01/1900	current
Single Lever Monobloc Sink Mixer Metallic / NA	IT14 INLET TAILS PAIR	854066	5013866064630	01/01/1900	current

6					
Pattern / Size	Description	Code	Barcode	Date From	Date To
Single Lever Monobloc Sink Mixer CP / NA	FP42 FIXING PACK	854065	5013866064623	01/01/1900	current
Single Lever Monobloc Sink Mixer SC / NA	FP42 FIXING PACK	854065	5013866064623	01/01/1900	current
Single Lever Monobloc Sink Mixer Metallic / NA	FP42 FIXING PACK	854065	5013866064623	01/01/1900	current

CARE & MAINTENANCE

Care

To maintain the surface finish, simply wipe occasionally with a mild detergent on a soft damp cloth. Dry, using a soft cloth. Never use abrasive cleaners or chemical household cleaners and avoid contact with concentrated bleach.

Maintenance

No regular maintenance is required for this product.

In case of complete replacement Pegler recommend service valves should be fitted to the supply inlets.

For any further help or replacement parts please contact the Service Support Team on 0800 1560050.

REGULATIONS

Regulations

It is important to ensure that the water supplies to your taps and mixers are connected in accordance with the water regulations (WRAS) requirements and good plumbing practice.

It is Pegler's recommendation and good plumbing practice that the supplies of hot and cold water to the mixer should be at equal (balanced) pressures in order to provide a consistent flow. Supplies should be from a common source, either mains or tank fed. If supplies are not equal pressures then non return valves should be fitted.

Luxury Taps and Mixers

Pegler Yorkshire Customcare 10 Year Guarantee - Terms and Conditions

Product are subject to a 10 year guarantee that is between Pegler Yorkshire and the final purchaser of the product.

The guarantee is subject to proof of purchase being supplied.

This guarantee does not affect any statutory rights the consumer may have in law.

The guarantee covers manufacturing or material defects and does not cover parts subject to normal wear and tear.

Finishes other than chrome are covered for a period of 3 years only and the guarantee on the finish is subject to the cleaning instructions being followed.

The guarantee is not applicable where the product is fitted contrary to the conditions in the fitting instructions.

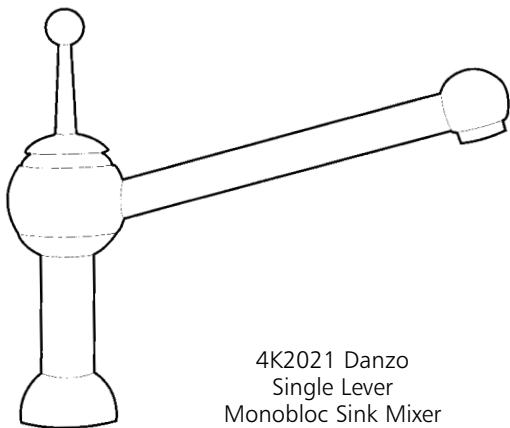
Abusive behaviour and accidental damage to the product are not covered by this guarantee.

The extent of this liability is limited to the cost of the replacement of the defective item and not to fitting or consequential damages.

Your Guide to the installation, care
and maintenance of

Danzo

Monobloc Sink Mixers



4K2021 Danzo
Single Lever
Monobloc Sink Mixer

pegler

Pegler Limited, St. Catherine's Avenue, Doncaster, South Yorkshire. DN4 8DF
Telephone: 01302 560560 Fax: 01302 560109

every to your door visit MyTub Ltd - 0845 303 8383 - www.mytub.co.uk

BEFORE STARTING

Thoroughly flush pipework.

It is our recommendation and good plumbing practice that water supplies to the mixers should have equal pressure.

It is necessary to fit these products in accordance with WRAS water supply (water fittings) 1999 & water bylaws 2000 (Scotland).

PRE INSTALLATION CHECKS

1. Ensure that there is sufficient space to install the product without hampering its operation.

When fitting in a corner position making sure there is sufficient clearance for use of the handles.

2. Ensure that the outlet will protrude sufficiently into the tank and will clear any obstructions.

OPERATING PRESSURES

0.1 bar min to 10.0 bar max

In domestic premises it is permissible to install the mixers on unbalanced pressures (separate sources) provided that single check valves are fitted immediately upstream of both hot and cold inlets.

However, it is our recommendation and good plumbing practice that the hot and cold supply pressures to the mixer be equal (balanced) to ensure the temperature of the mixed water remains stable in the event of draw offs being experienced at other points.

REMOVING YOUR OLD TAPS

1. Make sure the water supply to your taps is switched off.

2. Turn on the taps to drain the pipework.

3. Unscrew the nuts which connect the taps to pipework and remove the taps.

FITTING YOUR NEW TAPS

1. Place washer on base of body, screw in threaded stud, screw in both copper tails. Place fitting through hole in ware. Place rubber and clamping plate over threaded stud, then screw the retaining nut onto the nut and tighten firmly.
2. Install check valves if required.
3. Connect tap to water supply.

CARE AND MAINTENANCE

To maintain the surface simply wipe occasionally with a non abrasive detergent on a soft damp cloth and dry using a soft cloth. Never use abrasive household cleaners or chemical products. Avoid contact with concentrated bleach.

Pegler products are manufactured to the highest standards and should require little or no maintenance. In the unlikely event of any spare part requirements, please contact your nearest stockist or Pegler Limited, St Catherine's Avenue, Doncaster, South Yorkshire. DN4 8DF

Or contact us on the following numbers:

Northern Team
Tel: 0870 1200281
Fax: 01302 560108

Southern Team
Tel: 0870 1200282
Fax: 01302 560458

Western Team
Tel: 0870 1200283
Fax: 01302 560109



