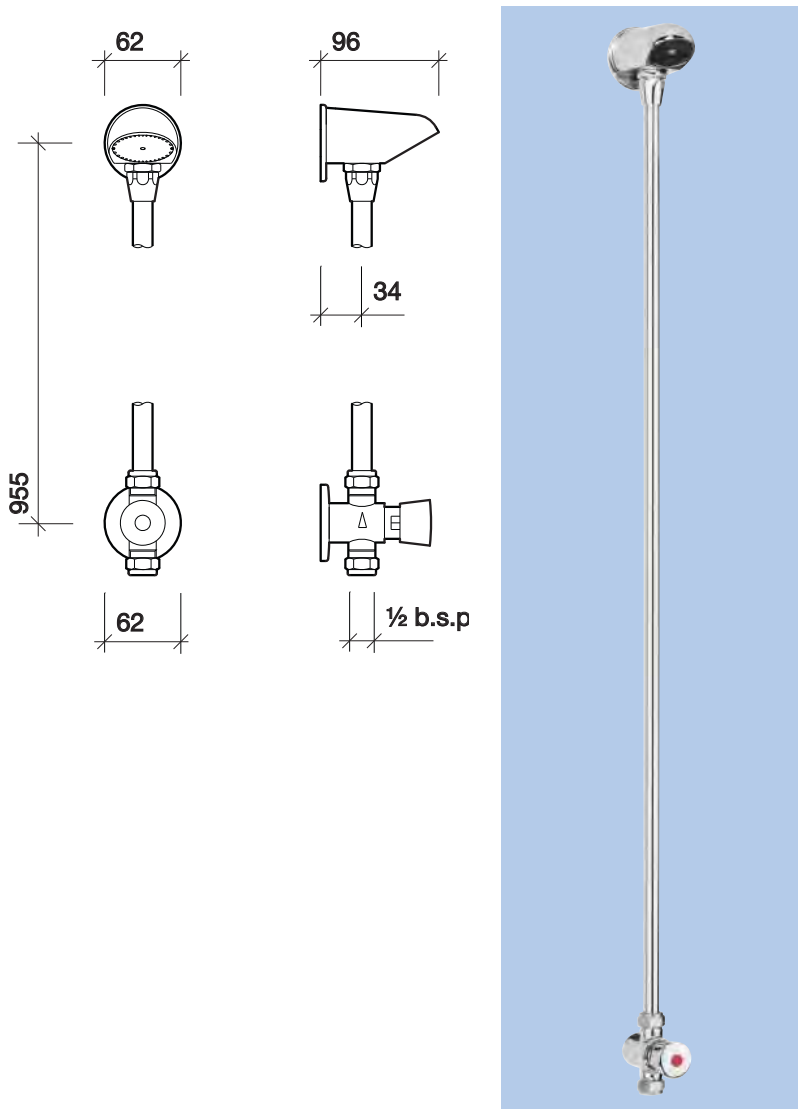


sola non-conc shower valve & head

exposed non-concussive shower valve and vandal resistant head
BREEAM compliant



non-concussive shower valve and vandal resistant head

Exposed **SF1205CP**

thermostatic mixing valve

TMV3 mixing valve - 15mm **SF1337XX**

applications

Commercial, Education, Hotels & Leisure, Other, Security.

BREEAM compliant.

approvals

W.R.A.S. pending

finish

Chrome plated CP.

installation

Inlet connections 15mm.
Outlet connections 2 x 1/2" BSP.
Minimum operating pressure 0.1 bar.
Maximum rec. operating pressure 3 bar.

flow rates

See table below.

note

At an inlet pressure of 1 bar taps give approximately 25 seconds (+ or - 3 seconds) of flow after button is pressed.

sola non-concussive thermostatic shower valve & head - exposed

Flow rates SF1205CP								
Pressure (bar)	0.1	0.2	0.5	1.0	2.0	3.0	4.0	5.0
Without restrictor (l/min)	2.6	4.3	7.1	10.6	15.4	19.1	19.8	25.8
With restrictor (l/min) for BREEAM	1.7	3.1	4.9	7.1	8.5	8.7	8.2	8.6

All measurements shown are in millimetres. drawing sizes are not to scale.
to specify/order: Please use the 8 character reference shown above.

Lawton Road, Alsager, Stoke-on-Trent ST7 2DF, UK
Tel: +44(0) 1270 879777 Fax: +44(0) 1270 873864
www.twyfordbathrooms.com UK Technical Helpline Tel: 0870 840 0437 Fax: 0870 840 0438

