

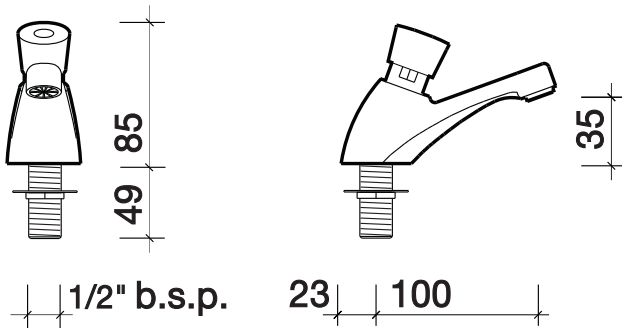
sola non-concussive taps

water saving

easy to use for less-abled



Non-concussive tap (pair)



1/2" non-concussive tap

Single, hot and cold indice **SF2151CP**Pair **SF2152CP**

applications

Commercial, Education, Hotels & Leisure,
Other, Security, Special Needs.

approvals

W.R.A.S.

BSEN816

finish

Chrome plated CP.

installation

Suitable for tap hole sizes 25-32mm.

Minimum operating pressure 0.5 bar.

Maximum operating pressure 10 bar.

Brass back-nuts.

Flow straightener.

note At an inlet pressure of 1 bar taps give approximately 15 seconds (+ or - 3 seconds) of flow after button is pressed.

Flow rates for SF2151CP and SF2152CP												
Pressure (bar)	0.1	0.2	0.3	0.4	0.5	0.6	0.8	1	2	3	4	5
With restrictor (l/min) for BREEAM	1.8	2.4	2.9	3.4	3.8	4.2	4.8	5.3	6.5	7.4	7.9	8.3
Without restrictor (l/min)	3.8	5.3	6.7	7.6	8.5	9.3	10.8	12.0	17.0	20.4	N/A	N/A

All measurements shown are in millimetres. drawing sizes are not to scale.
to specify/order: Please use the 8 character reference shown above.

Lawton Road, Alsager, Stoke-on-Trent ST7 2DF, UK
Tel: +44(0) 1270 879777 Fax: +44(0) 1270 873864
www.twyfordbathrooms.com UK Technical Helpline Tel: 0870 840 0437 Fax: 0870 840 0438

Twyford
bathrooms

For latest prices and delivery to your door visit MyTub Ltd - www.mytub.co.uk - info@mytub.co.uk