

geo6 corner entry

consists of 2 fixed and 2 sliding door panels
6mm glass



Geo6 bi-fold corner entry

to specify/order:

Please use the eight character reference shown below.

corner entry

900mm

G65303CP

760/800mm

G64303CP

760mm uses standard profiles, larger extended framework profiles included to make up to 800mm

trays

Co-ordinating Twyford Trays available.

extension profile

Extension profile for extra 30mm adjustment

G60600CP

applications

Commercial, Domestic, Hotels and Leisure.

material

Aluminium frame, 6mm toughened safety glass.

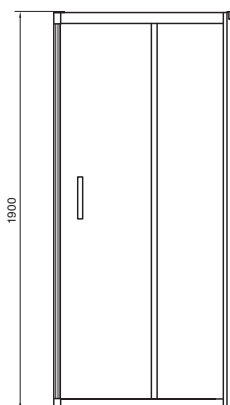
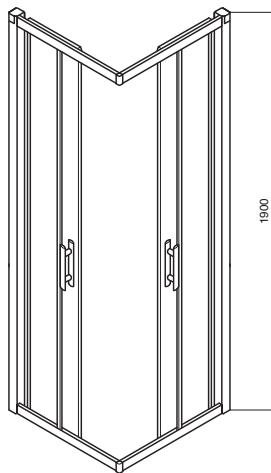
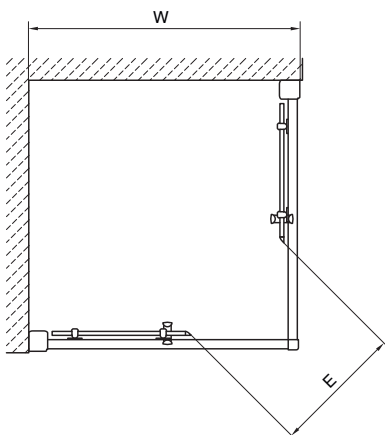
finish/colour

Polished silver frame, clear glass.

fixings

All fixings and instructions included.

Product Number	Description	W - Width mm	E - Entry Width mm	Adjustment mm
G64303CP	Corner Entry 760/800mm	760/800	360	25
G65303CP	Corner Entry 900mm	900	455	25



all measurements shown are in millimetres. drawing sizes are not to scale.

Lawton Road, Alsager, Stoke-on-Trent ST7 2DF, UK
 Tel: +44(0) 1270 879777 Fax: +44(0) 1270 873864
 www.twyfordbathrooms.com UK Technical Helpline Tel: 0870 840 0437 Fax: 0870 840 0438

