

# F614, F624, F628 GEM Butterfly Valves PN16

**CRANE**

FLUID SYSTEMS

## Fully-Lugged Lever Operated Valves to BSEN593

Key Features:

- Aluminium Bronze discs
- Stainless steel shaft
- Lockable trigger lever
- Valves are suitable for use with flanges conforming to BSEN1092-2 PN10 or PN16

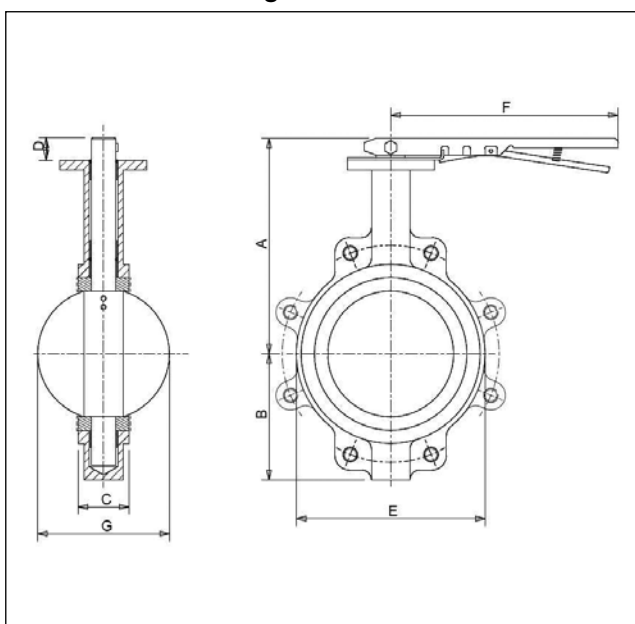
**WRAS**  
F624  
APPROVED  
PRODUCT

## Materials

Part	Material
Body	Ductile Iron ASTM A536 (Epoxy Paint)
Disc	Aluminium Bronze
Liner (F614)	Nitrile Temp. -10 to 90°C
Liner (F624)	EPDM (WRAS Approved) Temp. -10 to 100°C
Liner (F628)	EPDM (High Temperature) Temp. -10 to 130°C
Shaft	Stainless Steel Type 410
Taper Pin	Stainless Steel Type 316
Key	Carbon Steel
O Ring	Buna-N
Bushing	PTFE
Lever & Screw	Carbon Steel (Epoxy Paint)
Stop Plate	Carbon Steel (Zn Plated)



## Dimensional Drawing



## Dimensions and Weights

Size	Weight (kg)	A (mm)	B (mm)	C (mm)	D (mm)	E (mm)	F (mm)	G (mm)
50mm	3	195	83	44	32	102	260	32
65mm	4	207	95	48	32	121	260	46
80mm	6	213	102	48	32	130	260	64
100mm	12	232	124	54	32	171	260	90
125mm	13	245	136	57	32	197	260	111
150mm	14	257	150	57	32	219	260	145
200mm	22	305	197	63	44	268	356	193

**Pressure Rating:** PN16

**End Connection:** Lugged

**Operator:** Lockable trigger lever

### Specification:

F614 Suitable for Group 1 and 2 gases and Group 1 and 2 liquids as defined by the Pressure Equipment Directive 97/23/EC.

F624 Suitable for Group 2 liquids only as defined by the Pressure Equipment Directive 97/23/EC and these valves are WRAS Approved.

F628 Suitable for Group 2 liquids only as defined by the Pressure Equipment Directive 97/23/EC.