

Semi-Lugged Lever Operated Valves to BSEN593



Key Features:

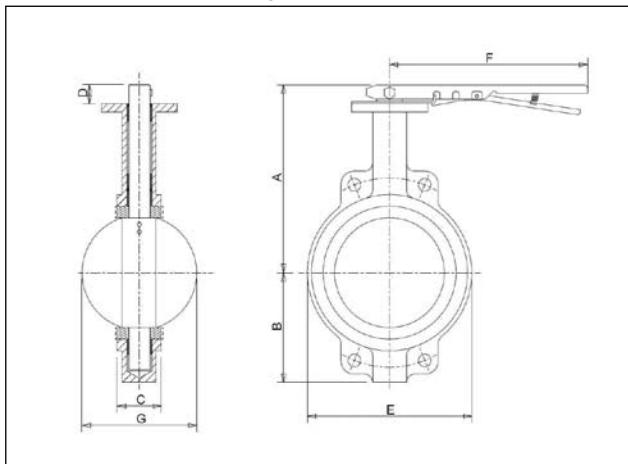
- Aluminium Bronze disc
- Stainless steel shaft
- Lockable trigger lever
- Valves are suitable for use with flanges conforming to BSEN1092-2 PN10 or PN16 and ANSI B16.1 Class 125

Materials

Part	Material
Body	Ductile Iron ASTM A536 (Epoxy Paint)
Disc	Aluminium Bronze
Liner (F611)	Nitrile Temp. -10 to 90 °C
Liner (F621)	EPDM (WRAS Approved) Temp. -10 to 100 °C
Liner (F626)	EPDM (High Temperature) Temp. -10 to 130 °C
Shaft	Stainless Steel Type 410
Taper Pin	Stainless Steel Type 316
Key	Carbon Steel
O Ring	Buna-N
Bushing	PTFE
Lever & Screw	Carbon Steel (Epoxy Paint)
Stop Plate	Carbon Steel (Zn Plated)



Dimensional Drawing



Dimensions and Weights

Size	Weight (kg)	A (mm)	B (mm)	C (mm)	D (mm)	E (mm)	F (mm)	G (mm)
50mm	3	195	83	44	32	102	260	32
65mm	4	207	95	48	32	121	260	46
80mm	5	213	102	48	32	130	260	64
100mm	7	232	124	54	32	171	260	90
125mm	8	245	136	57	32	197	260	111
150mm	9	257	150	57	32	219	260	145
200mm	15	305	197	63	44	268	356	193

Pressure Rating: PN16 / ANSI Class 125

End Connection: Semi Lugged

Operator: Lockable trigger lever

Specification:

F611 Suitable for Group 1 and 2 gases and Group 1 and 2 liquids as defined by the Pressure Equipment Directive 97/23/EC.

F621 Suitable for Group 2 liquids only as defined by the Pressure Equipment Directive 97/23/EC and these valves are WRAS Approved.

F626 Suitable for Group 2 liquids only as defined by the Pressure Equipment Directive 97/23/EC.