

## TECHNICAL DATASHEET

### QUEST

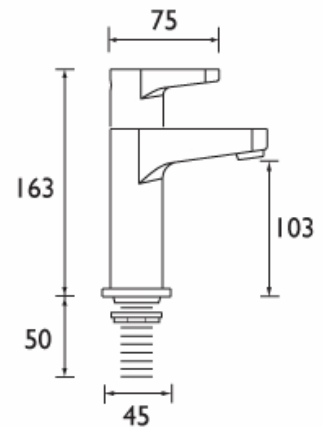
### QUEST HIGH NECK PILLAR TAPS

#### Product Specification

<b>Product Code:</b>	QST HNK C
<b>Finish:</b>	Chrome
<b>Product Type:</b>	Contemporary
<b>Construction:</b>	Bodies are of all brass construction and are designed to conform to BS EN 200
<b>Valve Type:</b>	¼ turn ½" ceramic disc valves
<b>Supply:</b>	Suitable for all plumbing systems
<b>Inlet Connections:</b>	½" BSP
<b>Water Pressure:</b>	Min. 0.2 bar, Max. 8.0 bar



© Bristan Group 2009



#### Additional Information

- Supplied with metal handles
- Chrome plated to BS EN 248

**Technical Advice:** For further information please call 0844 7016273 or email [customer care@bristan.com](mailto:customer care@bristan.com).  
**Guarantee:** 5 years covering manufacturing faults.

#### Compliance/Approvals

**WRAS:** Certificate No: 0902104

#### Flow Rates (litres per minute)

System Pressure	0.2bar	0.5bar	1bar	2bar	3bar	5bar
QST HNK C	7.33	12.48	18.16	26.06	32.00	41.87