

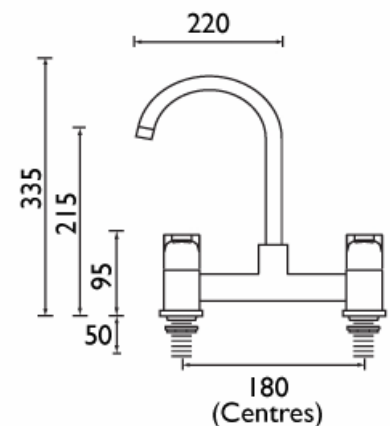
TECHNICAL DATASHEET

QUEST

QUEST DECK SINK MIXER

Product Specification

Product Code:	QST DSM C
Finish:	Chrome
Product Type:	Contemporary
Construction:	Body is of brass construction and is designed to conform to BS EN 200
Valve Type:	¼ turn ½" ceramic disc valves
Supply:	Suitable for all plumbing systems
Inlet Connections:	½" BSP
Water Pressure:	Min. 0.2 bar, Max. 8.0 bar



Additional Information

- Single flow
- Product supplier with single check valve
- Chrome plated to BS EN 248

Technical Advice: For further information please call 0844 7016273 or email customer@bristan.com.
Guarantee: 5 years covering manufacturing faults.

Compliance/Approvals

WRAS: Certificate No: 0903056

Flow Rates (litres per minute)

System Pressure	0.2bar	0.4bar	1bar	2bar	3bar	5bar
QST DSM C (Mixed)	12.43	19.30	32.29	46.15	56.96	-