

TECHNICAL DATASHEET

CAPRI

CAPRI BIDET MIXER WITH POP-UP WASTE

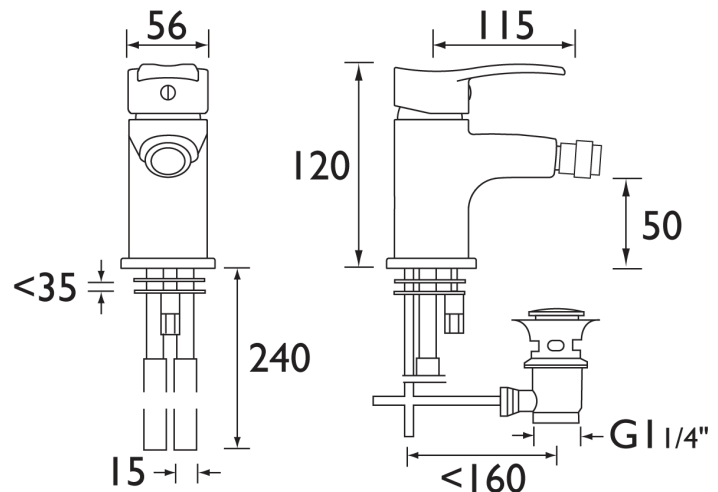


Product Specification

Product Code:	CAP BID C
Finish:	Chrome
Product Type:	Contemporary
Construction:	Bodies are of all brass construction and are designed to conform to BS EN 200
Cartridge/Valve Type:	35mm ceramic disc cartridge
Supply:	Suitable for all plumbing systems, ideally balanced
Inlet Connections:	M10 x 15mm compression flexible tail pipes
Water Pressure:	Min. 0.2 bar, Max. 8.0 bar

Additional Information

- Metal handle
- Chrome plated to BS EN 248



Technical Advice: For further information please call 0844 7016273 or email customer@bristan.com.
Guarantee: 5 years covering manufacturing faults.

Compliance/Approvals

WRAS: Pending

Flow Rates (litres per minute)

System Pressure	0.2bar	0.5bar	1bar	2bar	3bar	5bar
CAP BID C (Mixed)	4.4	7.6	11.0	16.0	19.6	25.2

