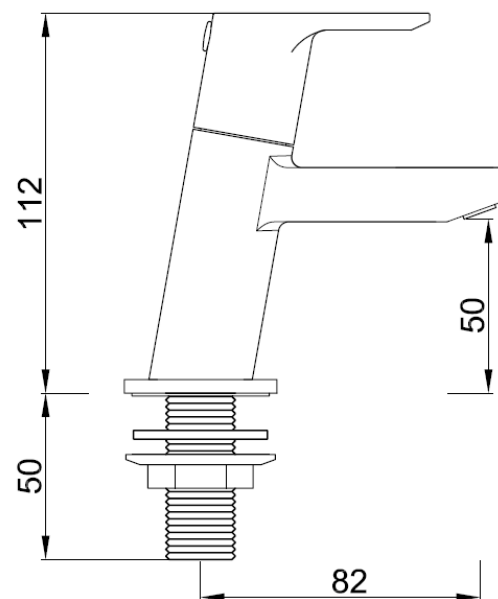


PISA BASIN TAPS CHROME



Product Specification

Product Code:	PS ½ C
Finish:	Chrome plated
Product Type:	Contemporary
Construction:	Bodies are of brass construction and designed to conform to BS EN 200
Valve Type:	½" ceramic disc valve ¼ turn
Supply:	Suitable for all plumbing systems
Inlet Connections:	½" BSP threaded tail
Outlet Connection:	Rectangular flow straightener
Water Pressure:	Min 0.2bar / Max 7.0bar



Additional Information

- Metal back nuts and handles.
- Chrome plated to BS EN248.

Technical Advice: For further information please call 0844 7016273 or email customer@bristan.com
Guarantee: 5 years covering manufacturing faults.

Compliance/Approvals

WRAS: Pending

Flow Rates (litres per minute, open outlet)

System Pressure	0.2bar	0.5bar	1bar	2bar	3bar	5bar
PS ½ C	6.52	10.93	15.77	22.60	27.77	35.97

Bristan, Birch Coppice Business Park, Dordon, Tamworth, B78 15G
 Telephone: 0844 701 6274 Facsimile: 0844 701 6275
 Web Site: www.bristan.com Email: enquire@bristan.com

