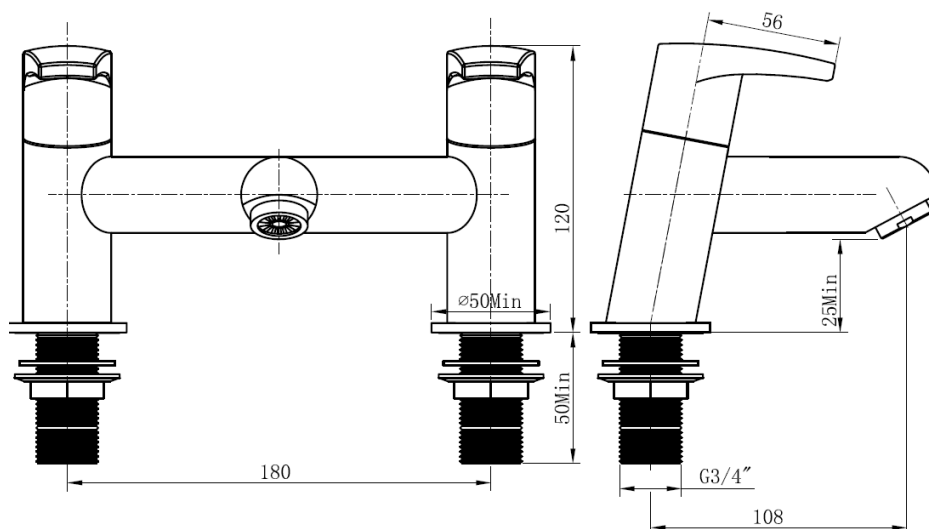


ORTA BATH FILLER CHROME

Product Specification

Product Code:	OR BF C
Finish:	Chrome
Product Type:	Contemporary
Construction:	Body is of brass construction and designed to conform to BS EN 200
Valve Type:	¾" Ceramic disc valve ¼ turn
Supply:	Suitable for all plumbing systems
Inlet Connections:	¾" BSP threaded tails
Outlet Connection:	M24 flow straightener
Water Pressure:	Min 0.2bar Max 10.0bar



Additional Information

- Metal back nuts and handles.
- Chrome plated to BS EN 248.

Technical Advice: For further information please call 0844 7016273 or email customer@bristan.com
Guarantee: 5 years covering manufacturing faults.

Compliance/Approvals

WRAS: Pending

Flow Rates (litres per minute, open outlet)

System Pressure	0.2bar	0.5bar	1bar	2bar	3bar	5bar
OR BF C	22.2	36.9	53.1	75.0	91.8	118.6

Bristan, Birch Coppice Business Park, Dordon, Tamworth, B78 15G
 Telephone: 0844 701 6274 Facsimile: 0844 701 6275
 Web Site: www.bristan.com Email: enquire@bristan.com

