

## TECHNICAL DATASHEET

### SELF CLOSING

### SINGLE TOGGLE LEVER BASIN TAP (WITH FLOW REGULATOR)



© Bristan Group 2009

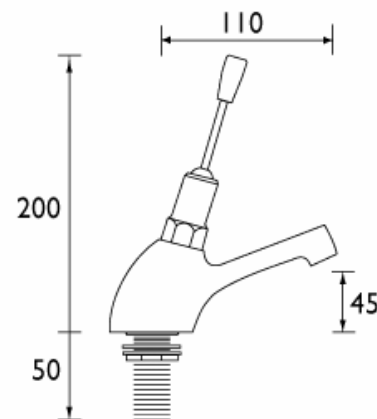


### Product Specification

<b>Product Code:</b>	Z L ½ C
<b>Finish:</b>	Chrome
<b>Product Type:</b>	Utility
<b>Construction:</b>	Body is of brass construction and is designed to conform to BS EN 200
<b>Valve Type:</b>	Self closing valve
<b>Supply:</b>	Suitable for all plumbing systems
<b>Inlet Connections:</b>	½" BSP
<b>Water Pressure:</b>	Min. 0.2 bar, Max. 8.0 bar

### Additional Information

- Supplied with flow limiter to reduce flow to 7 l/min.
- Approximately 15 second shut off.
- Supplied with cold and hot indices for either hot or cold installation.
- Chrome plated to BS EN 248.



**Technical Advice:** For further information please call 0844 7016273 or email [customer care@bristan.com](mailto:customer care@bristan.com).  
**Guarantee:** 5 years covering manufacturing faults.

### Compliance/Approvals

**WRAS:** Certificate No.: 0512035

#### Flow Rates (litres per minute)

System Pressure	0.2bar	0.5bar	1bar	2bar	3bar	5bar
Z L ½ C	8.5	14.1	20.4	29.0	35.6	46.3