

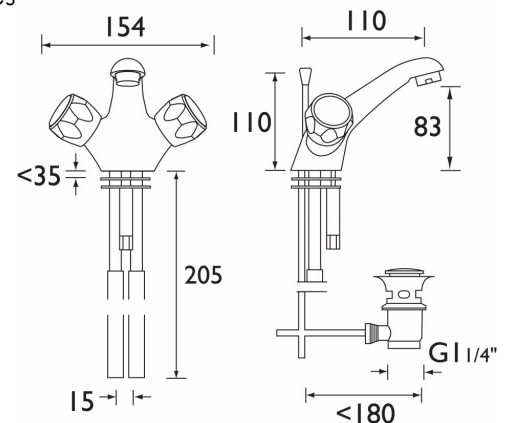
TECHNICAL DATASHEET

SPRAY

BASIN MIXER WITH POP-UP WASTE

Product Specification

Product Code:	SY ON BAS C CD
Finish:	Chrome
Product Type:	Utility
Construction:	Body is of brass construction and is designed to conform to BS EN 200
Valve Type:	½" ceramic disc valves
Supply:	Suitable for all plumbing systems
Inlet Connections:	M10 x 15mm screw-in copper connection pipes
Water Pressure:	Min. 0.2 bar, Max. 8.0 bar



Additional Information

- Supplied with metal heads.
- Supplied with flow limiter to spout to reduce flow to 3.5l/min (operates between 1 to 5 bar).
- Chrome plated to BS EN 248.

Technical Advice: For further information please call 0844 7016273 or email customer care@bristan.com.
Guarantee: 5 years covering manufacturing faults.

Compliance/Approvals

WRAS: Pending



Flow Rates (litres per minute)

System Pressure	0.2bar	0.3bar	0.4bar	0.5bar	1bar	5bar
SY ON BAS C CD	1.3	1.6	1.8	2.0	2.4	2.8

