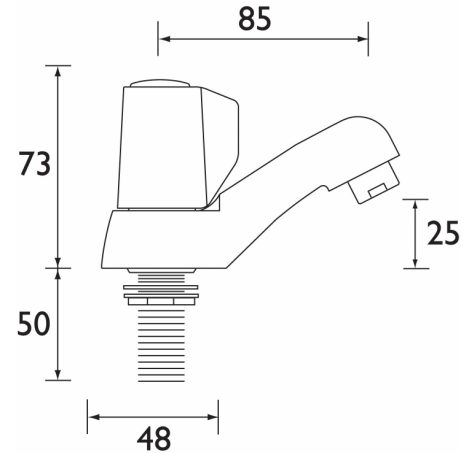


TECHNICAL DATASHEET

SPRAY LEVER BASIN TAPS

Product Specification

| | |
|---------------------------|---|
| Product Code: | SY SL ½ C CD |
| Finish: | Chrome |
| Product Type: | Utility |
| Construction: | Bodies are of all brass construction and are designed to conform to BS EN 200 |
| Valve Type: | ½" ceramic disc valves |
| Supply: | Suitable for all plumbing systems |
| Inlet Connections: | ½" BSP |
| Water Pressure: | Min. 0.2 bar, Max. 8.0 bar |



Additional Information

- Supplied with metal heads.
- Supplied with flow limiter to spout to reduce flow to 1.8l/min (operates between 1 to 5 bar).
- Chrome plated to BS EN 248.

Technical Advice: For further information please call 0844 7016273 or email customer@bristan.com.
Guarantee: 5 years covering manufacturing faults.

Compliance/Approvals

WRAS: Pending



Flow Rates (litres per minute)

| System Pressure | 0.2bar | 0.5bar | 1bar | 2bar | 3bar | 5bar |
|-----------------|--------|--------|------|------|------|------|
| SY SL ½ C CD | 0.9 | 1.2 | 1.3 | 1.3 | 1.3 | 1.4 |

