

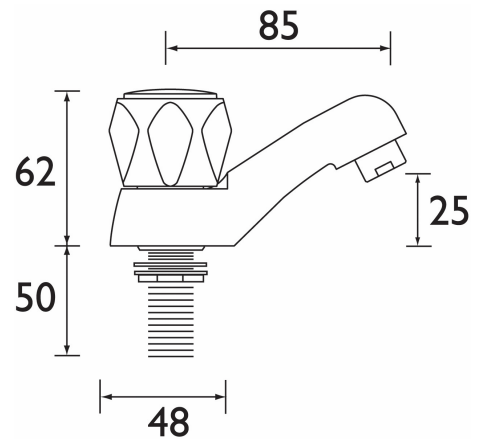
TECHNICAL DATASHEET

SPRAY BASIN TAPS



Product Specification

Product Code:	SY ON ½ C CD
Finish:	Chrome
Product Type:	Utility
Construction:	Bodies are of all brass construction and are designed to conform to BS EN 200
Valve Type:	½" ceramic disc valves
Supply:	Suitable for all plumbing systems
Inlet Connections:	½" BSP
Water Pressure:	Min. 0.2 bar, Max. 8.0 bar



Additional Information

- Supplied with metal heads.
- Supplied with flow limiter to spout to reduce flow to 1.8l/min (operates between 1 to 5 bar).
- Chrome plated to BS EN 248.

Technical Advice: For further information please call 0844 7016273 or email customer care@bristan.com.
Guarantee: 5 years covering manufacturing faults.

Compliance/Approvals

WRAS: Pending



Flow Rates (litres per minute)

System Pressure	0.2bar	0.5bar	1bar	2bar	3bar	5bar
SY ON ½ C CD	0.9	1.3	1.5	1.6	1.7	1.8

