

TECHNICAL DATASHEET

TAP REVIVERS

TAP REVIVER 1/2" & 3/4" LEVER HEADS



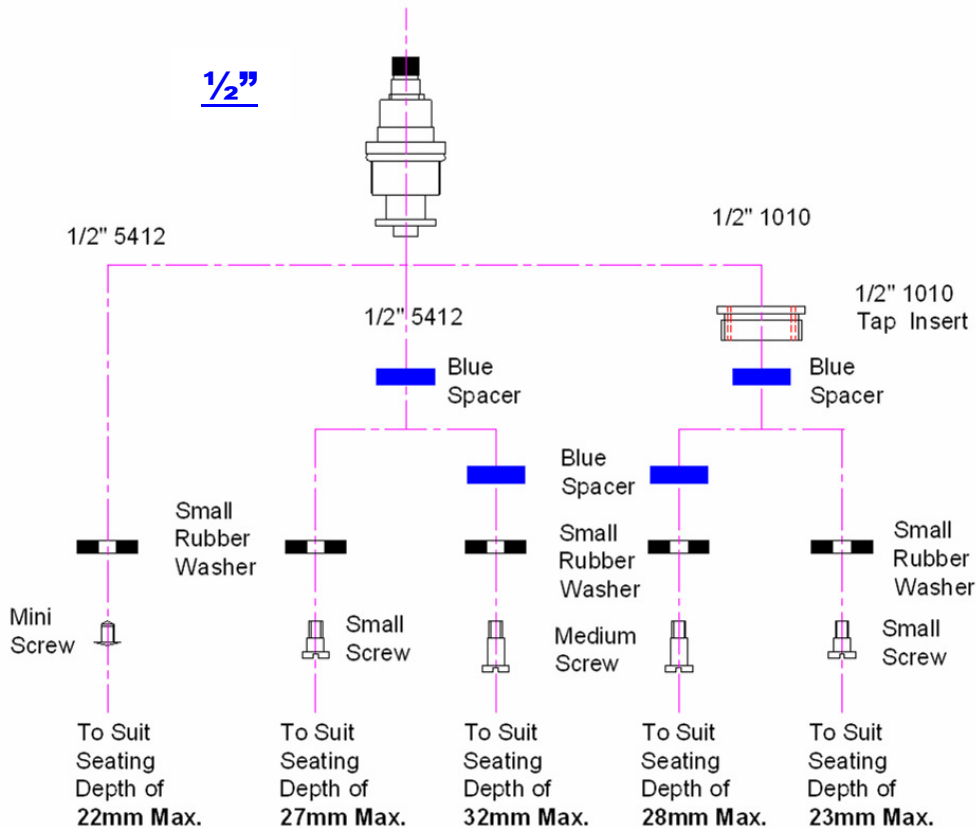
Product Specification

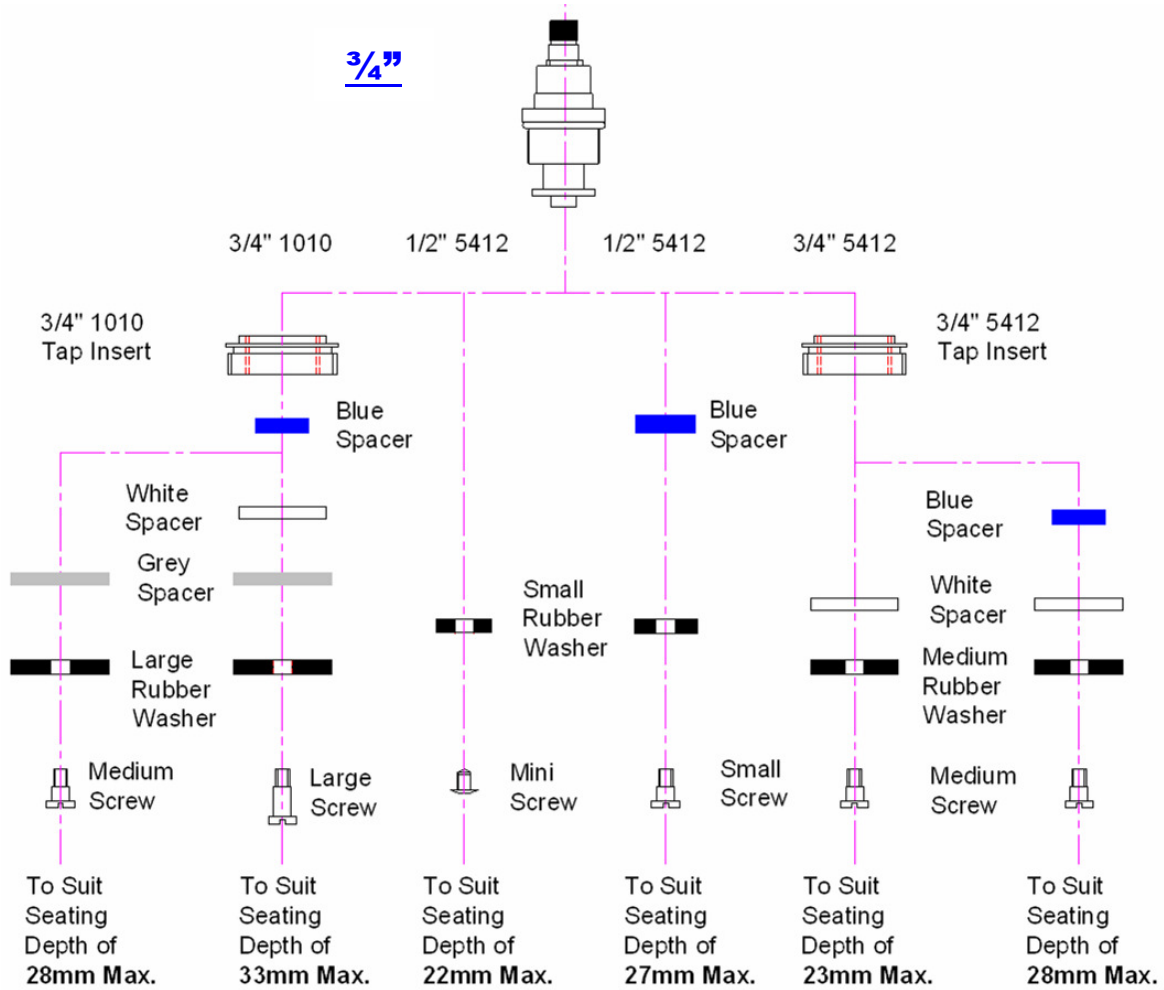
Product Code:	R 1/2 LEV & R 3/4 LEV
Finish:	Chrome plated
Product Type:	Contemporary
Valve Type:	1/2" & 3/4" rapid action (approx. 90° turn) compression valve
Supply:	Suitable for use with all plumbing systems

© Bristan Group 2009

Additional Information

- 1/2" Reviver packs suitable for use with most 1/2" 5412 and 1/2" 1010 taps
- 3/4" Reviver packs suitable for use with most 1/2" 5412, 3/4" 5412 and 3/4" 1010 taps
- image below shows different configurations of components to meet various tap seating depths





Technical Advice:
Guarantee:

For further information please call 0844 701 6273 or email customercare@bristan.com.
5 years covering manufacturing faults.

