

## TECHNICAL DATASHEET

### TAP REVIVERS

#### TAP REVIVER 1/2" & 3/4" ACRYLIC HEADS

#### Product Specification

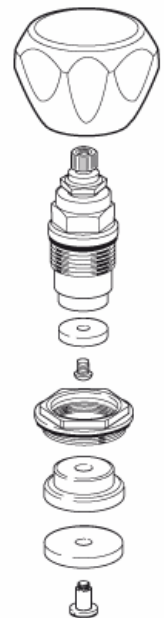
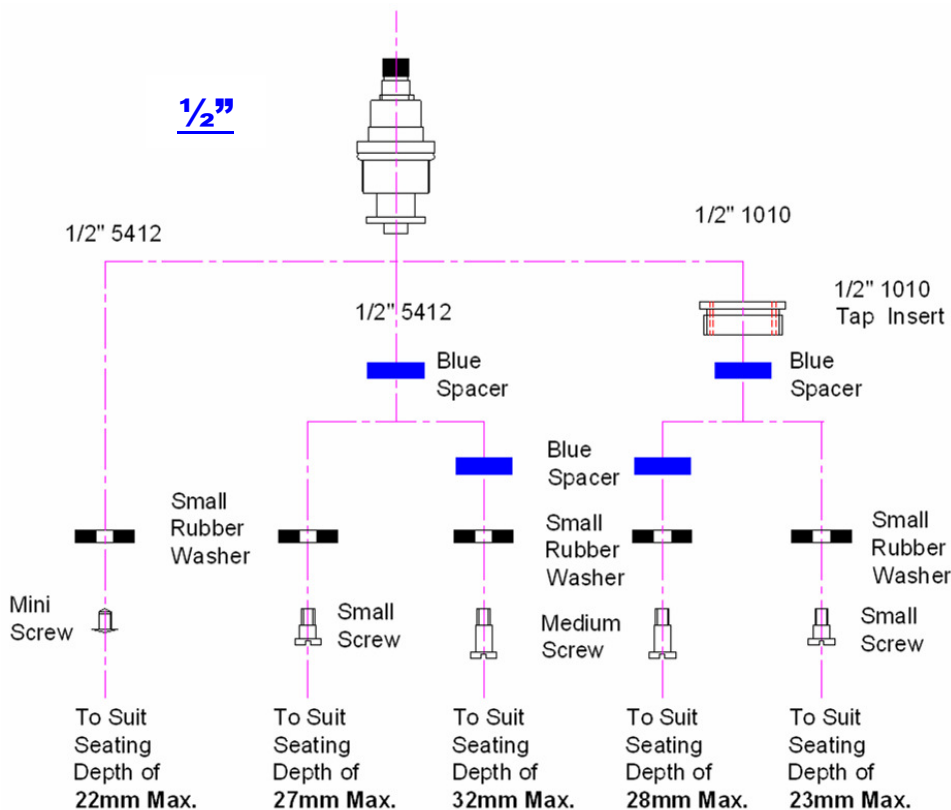
<b>Product Code:</b>	R 1/2 AC & R 3/4 AC
<b>Finish:</b>	Acrylic
<b>Product Type:</b>	Contemporary
<b>Valve Type:</b>	1/2" or 3/4" standard valves
<b>Supply:</b>	Suitable for use with all plumbing systems

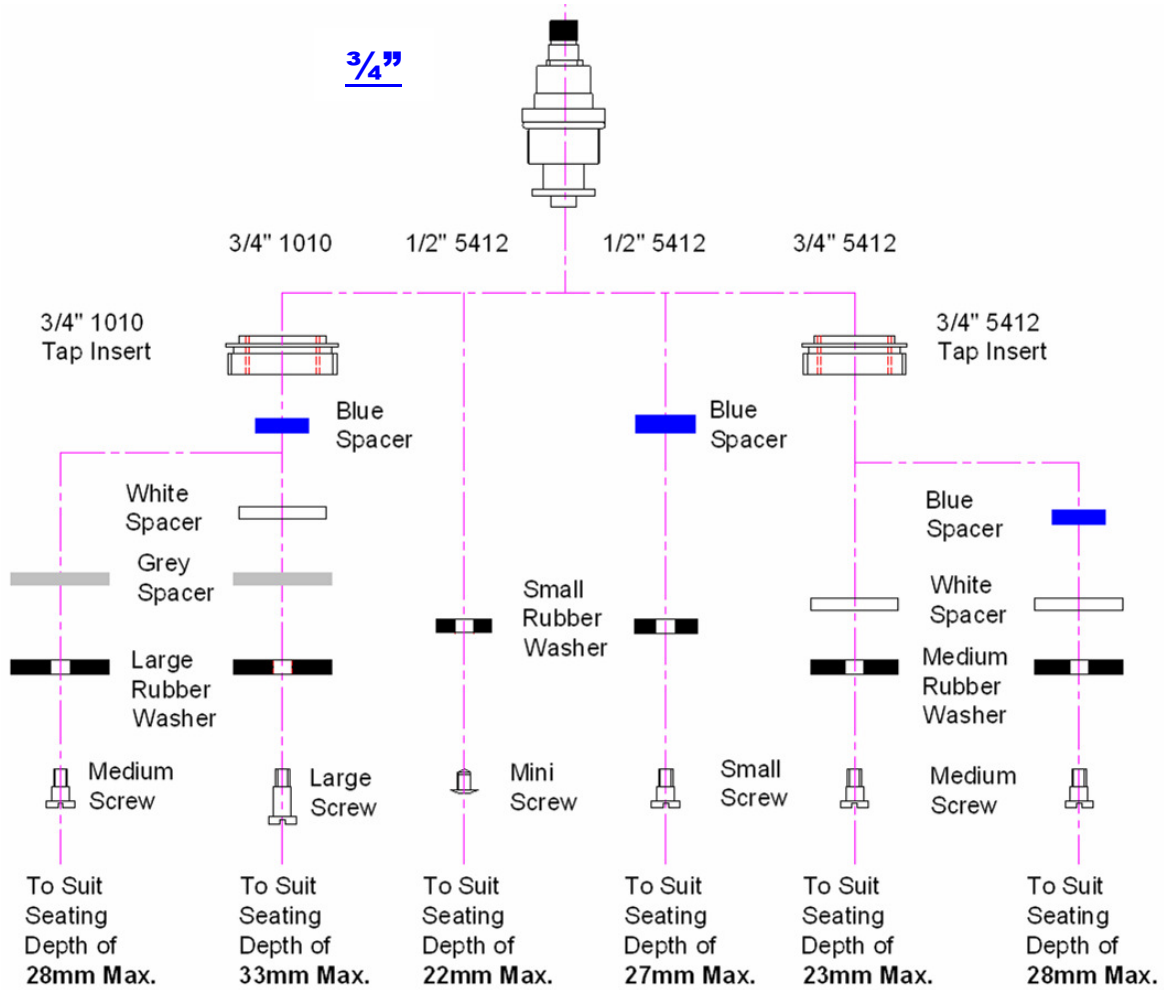


© Bristan Group 2009

#### Additional Information

- 1/2" Reviver packs suitable for use with most 1/2" 5412 and 1/2" 1010 taps
- 3/4" Reviver packs suitable for use with most 1/2" 5412, 3/4" 5412 and 3/4" 1010 taps
- image below shows different configurations of components to meet various tap seating depths





**Technical Advice:**  
**Guarantee:**

For further information please call 0844 701 6273 or email [customercare@bristan.com](mailto:customercare@bristan.com).  
5 years covering manufacturing faults.