

TECHNICAL DATASHEET

BRISTAN

QUBE

QUBE BASIN TAPS

Product Specification

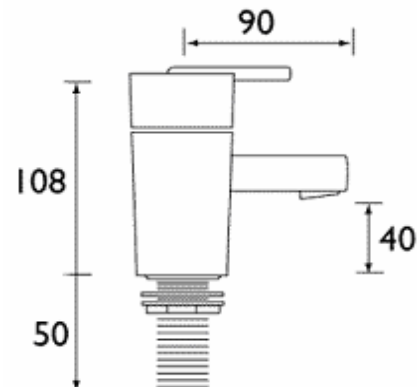
Product Code:	QU ½ C
Finish:	Chrome plated
Product Type:	Contemporary
Construction:	Bodies are of all brass construction and are designed to conform to BS EN 200
Valve Type:	¼ turn ½" ceramic disc valves
Supply:	Suitable for all plumbing systems
Inlet Connections:	½" BSP
Water Pressure:	Min 0.2 bar, Max 8.0 bar



© Bristan Group 2009

Additional Information

- Supplied with metal handles
- Chrome plated to BS EN 248



Technical Advice: For further information please call 0844 7016273 or email customercare@bristan.com
Guarantee: 5 years covering manufacturing faults

Compliance/Approvals

WRAS: Pending

Flow Rates (litres per minute)

System Pressure	0.2bar	0.5bar	1bar	2bar	3bar	5bar
QU ½ C	11.9	19.5	27.6	39.0	47.8	61.7

