

TECHNICAL DATASHEET

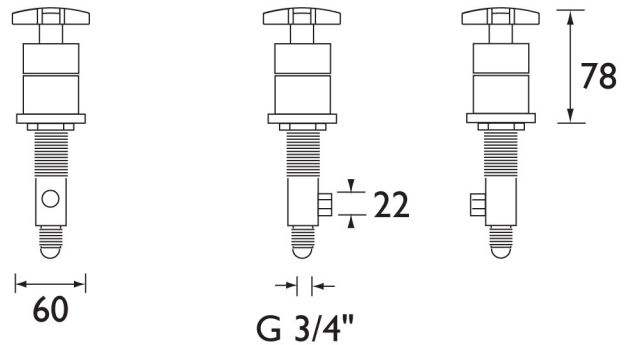
MOLOKO

MOLOKO SIDE BODIES



Product Specification

Product Code:	MLK SB C
Finish:	Chrome
Product Type:	Contemporary
Construction:	Bodies are of all brass construction and are designed to conform to BS EN 200
Valve Type:	¼ turn ¾" ceramic disc valves
Supply:	Suitable for all plumbing systems
Inlet Connections:	¾" BSP
Water Pressure:	Min 0.2 bar, Max 8.0 bar



Additional Information

- Fitted with ¼ turn ceramic disc valves.
- Cold tap fitted with right handed valve (turn clockwise to turn off).
- Hot tap fitted with left handed valve (turn anticlockwise to turn off).
- Chrome plated to BS EN 248

Technical Advice: For further information please call 0844 7016273 or email customer care@bristan.com
Guarantee: 5 years covering manufacturing faults

Compliance/Approvals

WRAS: Pending

Flow Rates (litres per minute)

System Pressure	0.2bar	0.5bar	1bar	2bar	3bar	5bar
MLK SB C	12.1	20.1	28.8	29.6	47.0	53.3

