

TECHNICAL DATASHEET

TEMPO

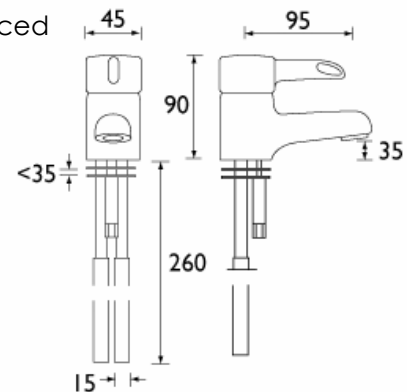
TEMPO COLD TO HOT SINGLE MIXER TAP

Product Specification

| | |
|---------------------------|--|
| Product Code: | L T T C |
| Finish: | Chrome |
| Product Type: | Utility |
| Construction: | Body is of brass construction and is designed to conform to BS EN 200 |
| Cartridge Type: | Ceramic cartridge |
| Supply: | Suitable for all plumbing systems, ideally balanced |
| Inlet Connections: | M10 x 15mm screw-in copper tail pipes |
| Water Pressure: | Min. 0.2 bar, Max. 8.0 bar |



© Bristan Group 2009



Additional Information

- Sequential lever control.
- Turn lever anti-clockwise to switch on and rotate fully to travel through the cold position to full hot.
- Supplied with a pair of isolating valves & optional spray guide.
- Safety feature: the maximum temperature can be controlled by repositioning a plastic collar under the lever to limit its travel.
- Supplied with metal lever.
- Chrome plated to BS EN 248.

Technical Advice: For further information please call 0844 7016273 or email customer@bristan.com.
Guarantee: 5 years covering manufacturing faults.

Compliance/Approvals

WRAS: Pending

Flow Rates (litres per minute)

| System Pressure | 0.2bar | 0.5bar | 1bar | 2bar | 3bar | 5bar |
|-------------------|--------|--------|------|------|------|------|
| Flow straightener | 6.2 | 9.9 | 13.9 | 20.0 | 24.5 | 31.6 |
| Spray | 3.0 | 4.8 | 6.7 | 9.5 | 12.9 | 16.7 |