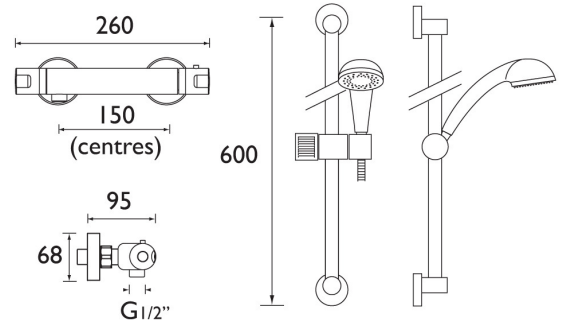


DESIGN UTILITY

DESIGN UTILITY CLUB THERMOSTATIC SURFACE MOUNTED BAR SHOWER VALVE WITH ADJUSTABLE RISER & FAST FIT CONNECTIONS

Product Specification

Product Code:	DUC SHXARFF C
Finish:	Chrome
Product Type:	Contemporary
Construction:	Body is of brass construction
Valve Type:	¼ turn ½" ceramic disc valve
Cartridge Type:	Thermostatic cartridge
Supply:	Suitable for all plumbing systems, preferably balanced
Inlet Connections:	15mm compression connections
Outlet Connection:	G ½"
Water Pressure:	Min. 0.1 bar, Max. 5.0 bar
Dimensions for Fitting:	150mm inlet centres



Additional Information

- Dual control – Flow and temperature are controlled separately, giving accurate control of both
- Thermostatic cartridge maintains showering temperature to +/- 1°C by compensating for changes in the incoming water temperature and pressure giving the stable outlet temperature
- Automatic shut off in the event of hot or cold water supply failure, thus reducing the risk of injury
- Factory set to a maximum of 38°C to eliminate the ability to select an unsafe temperature - this is adjustable to suit user preference
- Utilises unique fast fit system – WMNT10 C
- Supplied with 1.5m hose, riser rail, hose retainer and single function handset with rub clean nozzles.
- Chrome plated to BS EN 248

Technical Advice: For further information please call 0844 7016273 or email customer@bristan.com.
Guarantee: 5 years covering manufacturing faults.

Compliance/Approvals

WRAS: Pending

Flow Rates (litres per minute, through handset)

System Pressure	0.2bar	0.5bar	1bar	2bar	3bar	4bar
DUC SHXARFF C	4.0	9.0	11.1	15.6	18.1	20.2

