

MATRIX

MATRIX MONOBLOC SINK MIXER

Product Specification

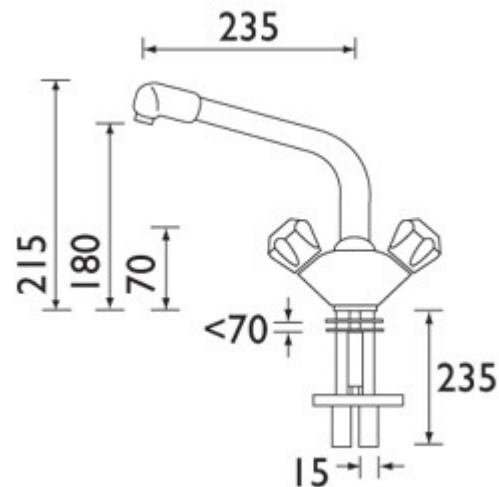
Product Code:	CM SNK C MT / CM SNK WHT
Finish:	Chrome / White
Product Type:	Contemporary
Construction:	Body is of brass construction and is designed to conform to BS EN 200
Valve Type:	½" standard valves
Supply:	Suitable for all plumbing systems
Inlet Connections:	M12 x 15mm screw-in copper tail pipes
Water Pressure:	Min. 0.2 bar, Max. 8.0 bar



© Bristan Group 2009

Additional Information

- Dual flow.
- Supplied with metal heads.
- Chrome plated to BS EN 248.



Technical Advice: For further information please call 0844 7016273 or email customer care@bristan.com.
Guarantee: 5 years covering manufacturing faults.

Compliance/Approvals

WRAS: Certificate No. 0705010

Flow Rates (litres per minute)

System Pressure	0.2bar	0.5bar	1bar	2bar	3bar	5bar
CM SNK (mixed)	8.1	14.0	20.2	29.2	35.9	46.4