

ARTISAN

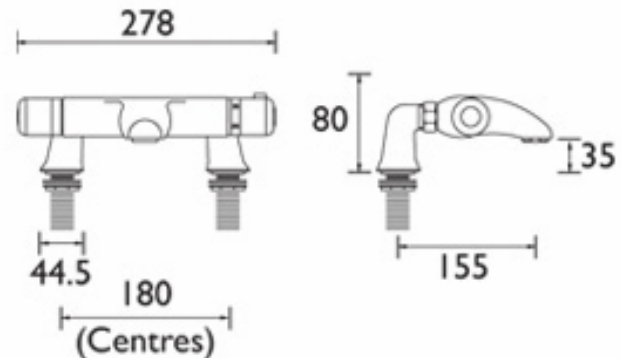
ARTISAN THERMOSTATIC BATH FILLER MIXER

Product Specification

Product Code:	AR THBF C
Finish:	Chrome plated
Product Type:	Contemporary
Construction:	Body is of brass construction and is designed to conform BS EN 1287 / BS EN 1111
Valve Type:	½" Standard valve
Cartridge:	Thermostatic
Supply:	Suitable for all plumbing systems, preferably balanced
Inlet Connections:	¾" BSP
Water Pressure:	Min 0.2 bar, Max. 8.0 bar
Dimensions for Fitting:	180mm inlet centres



© Bristan Group 2009



Additional Information

- Dual control – Flow and temperature are controlled separately giving accurate control of both
- Thermostatic control to bath and shower functions
- Thermostatic cartridge maintains showering temperature to +/-1°C by compensating for changes in the incoming water temperature and pressure giving the stable outlet temperature
- Automatic shut off in the event of hot or cold water supply failure, thus reducing the risk of any injury
- Factory set to 38°C to eliminate the ability to select unsafe temperature, this can be overridden by user
- Chrome plated to BS EN 248

Technical Advice: For further information please call 0844 7016273 or email customer care@bristan.com
Guarantee: 5 years covering manufacturing faults

Compliance/Approvals

WRAS: Pending

Flow Rates (litres per minute)

System Pressure	0.2bar	0.5bar	1bar	2bar	3bar	5bar
AR THBF C (mixed)	6.1	10.7	15.2	21.5	26.3	33.9