

SPECIFICATION

Vitreous China Manufactured to:

BS EN 33:2003
BS EN 997:2003
BS 3402:1969

Pre-fitted Eco Cistern Trim

WRAS approved Trim
Cable operated flush valve - WRAS Certificate No. 0501041
Inlet Valve - WRAS Certificate No. 0702073
Chrome Button

White

BRISTAN Branded

Water Saving

2.6/4litre Dual Flush



INCLUDED COMPONENTS

PAN **SW DN CC PAN W**
Packed Weight 18Kgs
Packed Size 660 x 470 x 440mm

Cistern **SW DN CC CISTERN W**
Packed Weight 10.5 Kgs
Packed Size 465 x 400 x 200mm

PRODUCT DETAILS

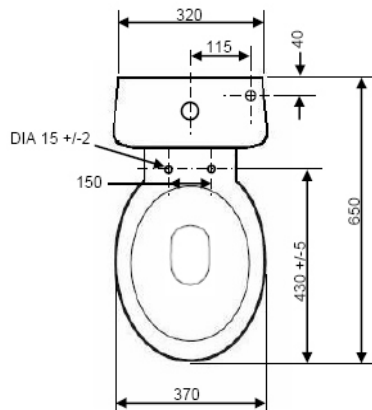
White, vitreous china, Close Coupled, 2.6 / 4 litre Eco Flush WC. Complete with pre-fitted cistern trim, pan/cistern fixing kit and pan to floor fixing kit.

Compatible with:
Dune Seat Standard Hinge **SW DN SEAT SH W**

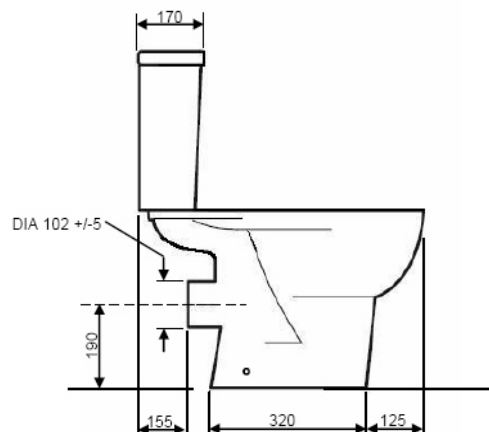
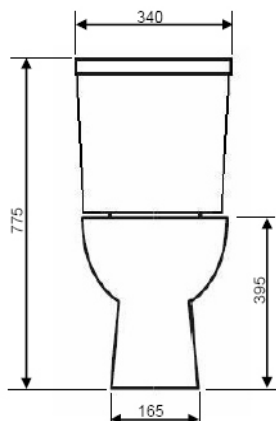
PACKAGING

Pan and cistern individually boxed in brown cardboard. Dual colour label with product details, codes, barcodes and weight.

DIMENSIONS

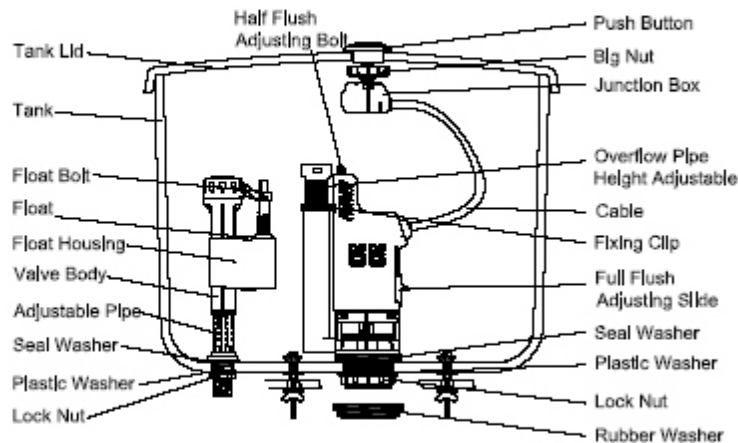


Note: all dimensions are shown in mm



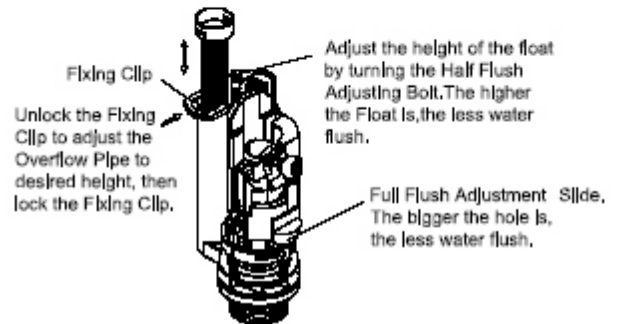
Installation Instructions

Fill Valve + Dual Flush Valve + Dual Push Button

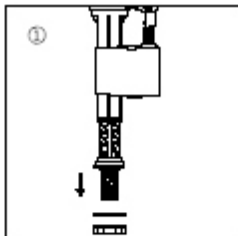


Diagram

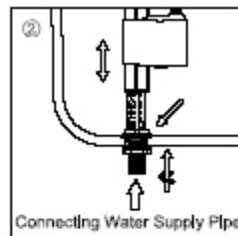
Important: Before installation, please remove the old fittings and clean the tank. Please clean the water supply pipe first for newly installed one. Do not use plumber's putty to seal the fittings. Do not use chlorine(bleach) cleaners or related products.



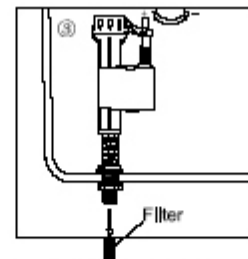
1. Fill Valve



Disassemble the Lock Nut for valve installation.

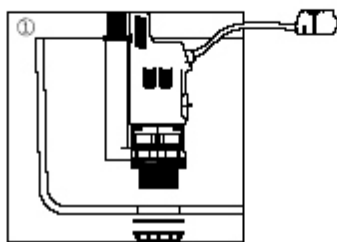


Position Valve inside tank. Push down on the Valve Shank (not the Top) while tightening Lock Nut. Screw the Valve Shank clockwise, and pull the Valve Body to an expected height.

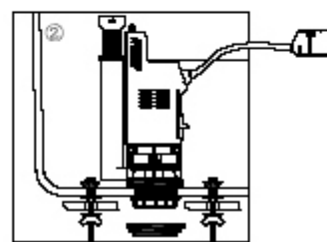


Adjusting water level by screwing Float Bolt and move the Float Housing up or down along the Valve Body to join with the Float. Pay attention the Float Housing should be attached to the Float and the Arm isn't raised. Take out of the Filter and clean it often.

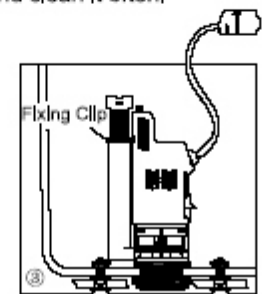
2. Dual Flush Valve



Disassemble Lock Nut, Plastic Washer for VALVE installation. Position the VALVE inside tank. Push down on the Valve Body while attaching Plastic Washer and tightening Lock Nut.

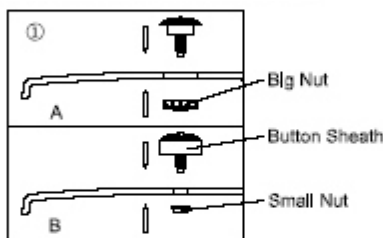


Nest the Tank To Bowl Washer in the Lock Nut and position the TANK on the Toilet Bowl properly. Disassemble the Tank To Bowl Bolts. Fix the Tank to Toilet Bowl with the Tank To Bowl Bolts tightly.

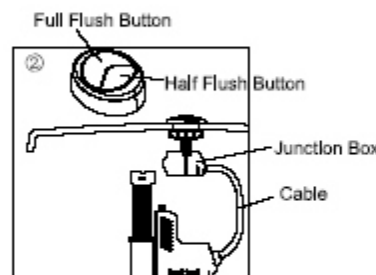


Unlock the Fixing Clip to adjust the Overflow Pipe to desired height, then lock the Fixing Clip.

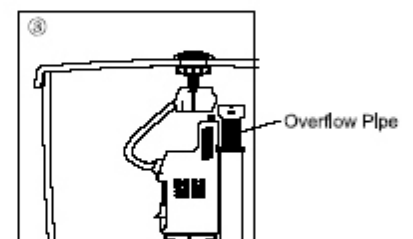
3. Dual Push Button



Turn the Nut and loosen it. Install the Button on the Tank Lid and fix the Nut properly.
Installation A for Ø4cm hole in the Tank Lid.
Installation B for Ø2-Ø3cm hole in the Tank Lid.



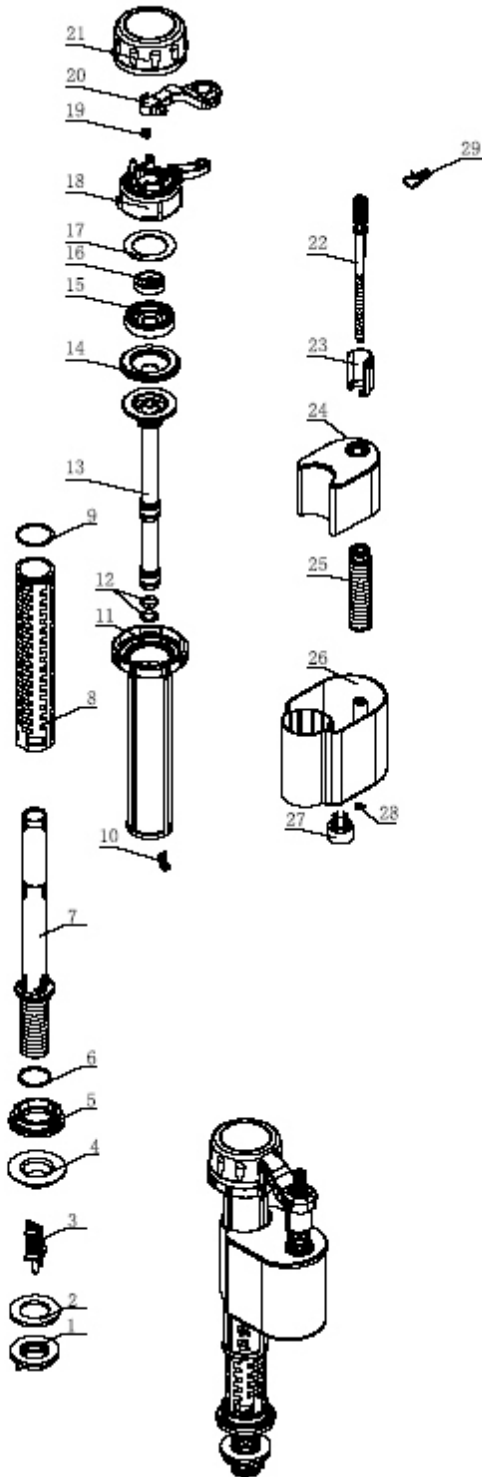
Make the Cable smooth, install the Button on the Junction Box, and then close the Tank Lid. Fill the Tank with water and push the Full & Half Button to check whether the flushing is normal or not.



Fix the Clip on the Overflow Pipe. Installation for Front Push and Side Push is the same as Top Push.

Note: Subject to the product if any difference.

INLET VALVE - SERVO ASSISTED FLOAT OPERATED VALVE



Material Listing

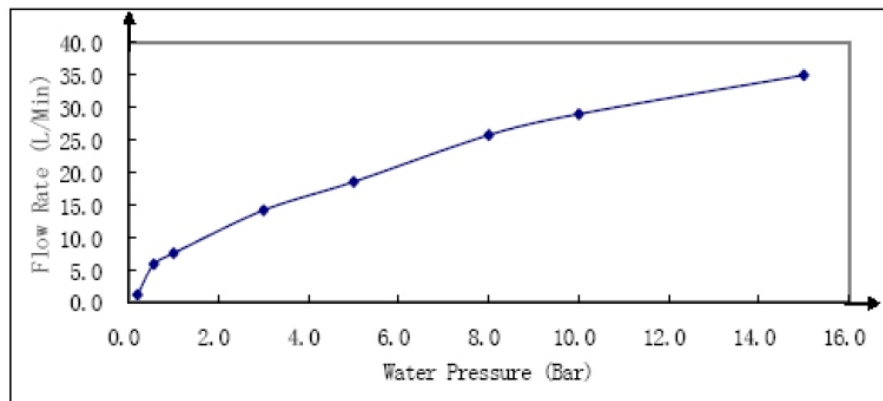
No.	Part Name	Part No.	Material
1	Nut	P120115	POM
2	Washer	R120114	PP
3	Filter	P120116	PP
4	Triangle Seal	R120108	SBR
5	Flange	P120514	POM
6	O19 Oring	R120105	EPDM70
7	External Pipe	P120501	POM
8	Adjustable Pipe	P120502	POM
9	O21 Oring	R120503	EPDM70
10	Fastening Peg	P120515	POM
11	Valve Body	P120503	POM
12	O12 Oring	R120502	EPDM70
13	Internal Pipe	P120504	POM
14	Anti-Siphon Ring	R120501	EPDM
15	Washer	P120506	POM
16	Seal	R120101	EPDM
17	Seal	R120103	SBR
18	Cover	P120505	POM
19	Seal	R120102	EPDM
20	Lever	P120507	POM
21	Decoratlon Cap	P120107	PP
22	Adjustable Rod	P120510	POM
23	Supporter	P120508	POM
24	Float	P120511	PP
25	Float Bolt	P120509	POM
26	Tank	P120510	PP
27	Tank Patch	P120513	ABS
28	C Ring	P120516	POM
29	Refill Tube Clip	M110303	SUS304

Note: Subject to the product if any difference.

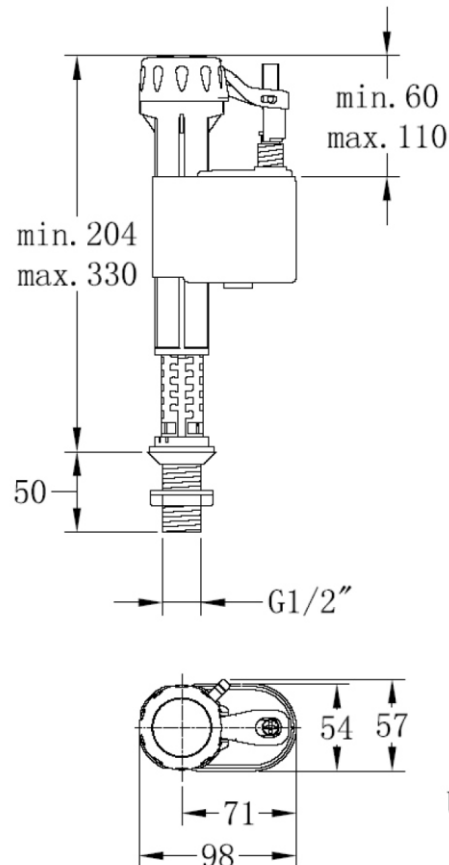
INLET VALVE - SERVO ASSISTED FLOAT OPERATED VALVE

Technical Specifications

- Water Pressure: 0.2~21 bar (3PSI~300PSI)**
- Noise Test: 19 dB(A) (LGA)
42 dB(A) (JC987-2005)**
- Height: Adjustable from 204mm to 330mm**
- Water Level: Adjustable from 95mm to 270mm**
- Refill Rate: >20%**
- Flow Rate:**



Dimension

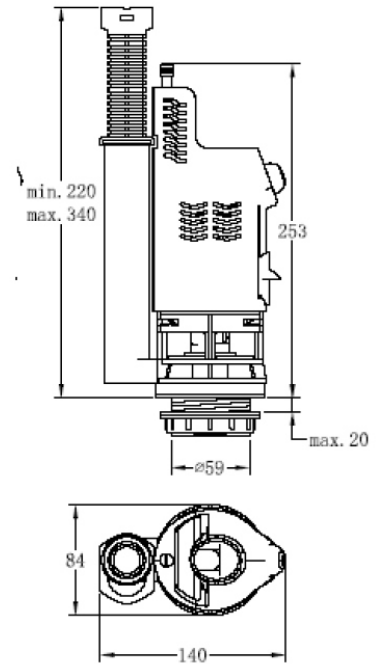
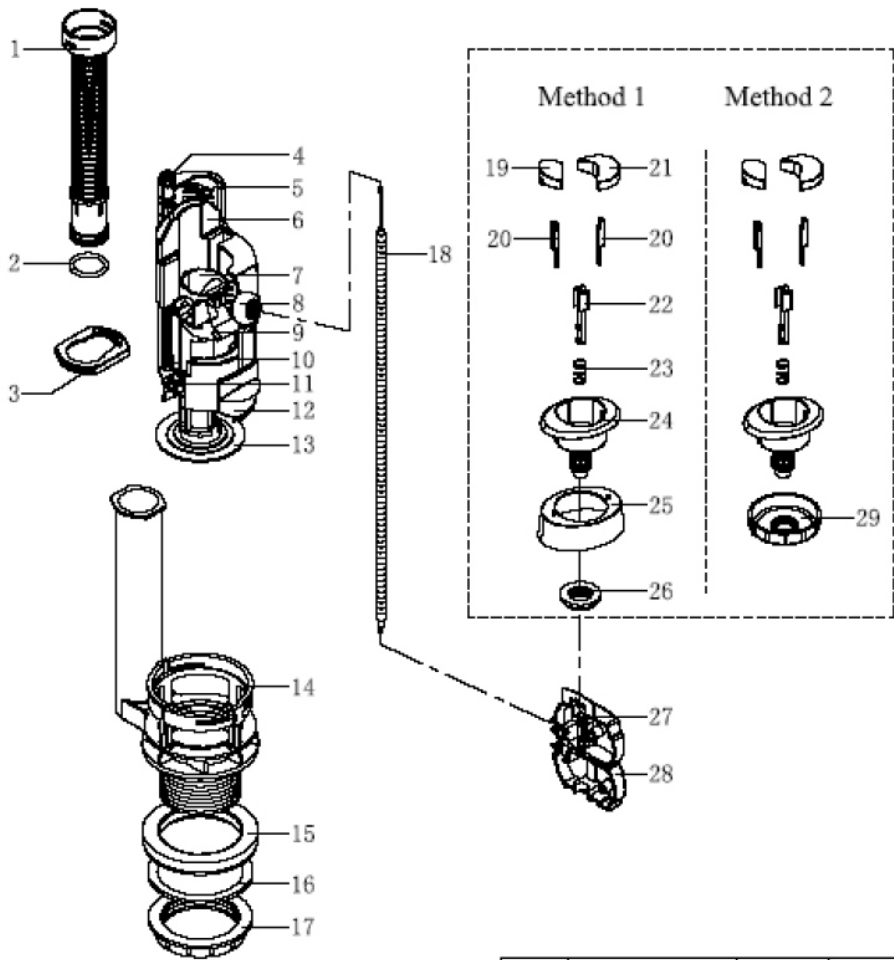


Unit: mm

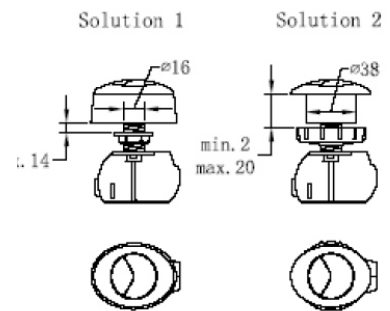
FLUSH VALVE

Material Listing

Dimension



B208



Unit: mm

	No.	Part Name	Part No.	Material
	1	Adjustable Overflow Pipe	P220116	ABS
16	2	911 Oring	R220103	EPDM
17	3	Overflow Pipe Fixation	P220117	POM
18	4	Adjustable Bolt	P220405	POM
19	5	38 Half Push Button	P320503	ABS
20	6	Push Rod	P320505	POM
21	7	38 Full Push Button	P320502	ABS
22	8	Quadrate Rod	P320504	POM
23	9	Spring	M320501	SUS304
24	10	38 Push Button Seat	P320501	ABS
25	11	Sheath	P320507	ABS
26	12	Nut	P110109	PP
27	13	Claw	P220411	POM
28	14	Claw Housing	P220410	PP
29	15	59 Seal	R220102	SBR

Note: Subject to the product if any difference.