

## TECHNICAL DATASHEET

### OVAL

### OVAL BIDET MIXER WITH POP-UP WASTE

#### Product Specification

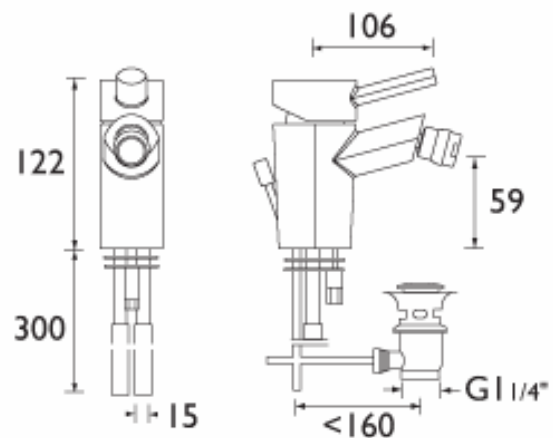
<b>Product Code:</b>	OL BID C
<b>Finish:</b>	Chrome
<b>Product Type:</b>	Contemporary
<b>Construction:</b>	Body is of brass construction and is designed to conform to BS EN 817
<b>Cartridge Type:</b>	35mm ceramic disc cartridge
<b>Supply:</b>	Suitable for all plumbing systems, ideally balanced
<b>Inlet Connections:</b>	M10 x 15mm flexible connecting tail pipes
<b>Water Pressure:</b>	Min. 0.1 bar, Max. 10.0 bar



© Bristan Group 2009

#### Additional Information

- Supplied with metal handles.
- Supplied with metal backnuts.
- Supplied with pop-up waste.
- Chrome plated to BS EN 248



**Technical Advice:** For further information please call 0844 7016273 or email [customer@bristan.com](mailto:customer@bristan.com).  
**Guarantee:** 5 years covering manufacturing faults.

#### Compliance/Approvals

**WRAS:** Certificate no. 1007005

#### Flow Rates (litres per minute)

System Pressure	0.2bar	0.5bar	1bar	2bar	3bar	5bar
OL BID C (mixed)	3.8	6.4	9.3	13.3	16.3	21.0