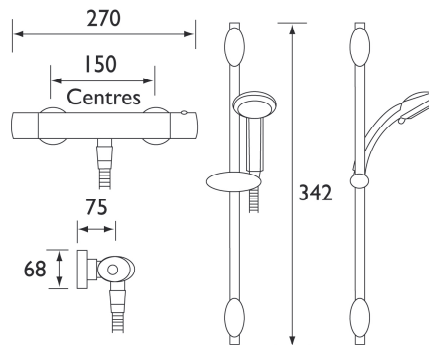


Oval Contemporary Bar Shower

Oval Thermostatic Surface Mounted Bar Shower Valve with Adjustable Riser & Fast Fit Connections

Product Specification

Product Code:	OL SHXSMFF C
Finish:	Chrome
Product Type:	Contemporary
Construction:	Bodies are all brass construction
Cartridge/Valve Type:	¼ turn ½” Ceramic disc valve
Supply:	Suitable for all plumbing systems, preferably balanced
Inlet Connections:	15mm compression connections with 150mm centres
Outlet Connections:	G ½”
Water Pressure:	Min 0.3 bar, Max 5.0 bar



Additional Information

- Dual Control – Flow and temperature are controlled separately with scalloped handles giving accurate control of both.
- Thermostatic cartridge maintains showering temperature to +/- 1°C by compensating for changes in the incoming water temperature and pressure giving a stable outlet temperature.
- Automatic shut off in the event of hot or cold water supply failure, thus reducing the risk of scalding.
- Factory set to a maximum of 38°C to eliminate the ability to select an unsafe temperature - this can be manually over-ridden up to 46°C to suit user preference
- Utilises unique fast fit system (WMNT10 C).
- Supplied with single mode rub clean handset, 1.5m shower hose, adjustable riser & hose retainer.
- Chrome plated to BS EN 248

Technical Advice: For further information, please call +44 (0)844 701 6274 or e-mail enquire@bristan.com

Guarantee: All Bristan products are covered by a 5 year guarantee covering manufacturing faults.

Compliance / Approvals

WRAS: Pending

Performance

System Pressure	0.2bar	0.5bar	1bar	2bar	3bar	5bar
Flow Rate (litres per min.)	6.8	9.2	13.4	19.4	24.0	31.2