

TECHNICAL DATASHEET

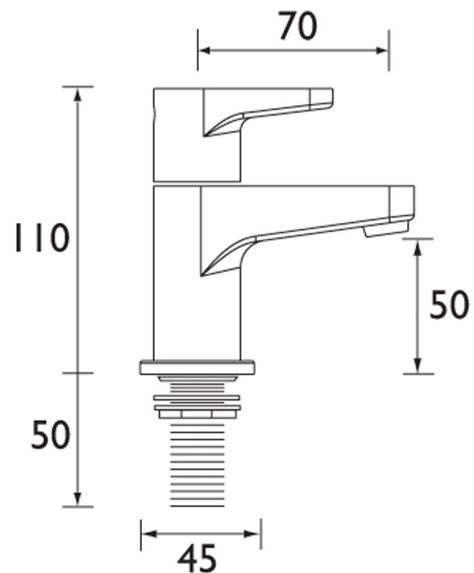
QUEST

QUEST BASIN TAPS CHROME



Product Specification

Product Code:	QST ½ C
Finish:	Chrome
Product Type:	Contemporary
Construction:	Bodies are of all brass construction and are designed to conform to BS EN 200
Valve Type:	¼ turn ½" ceramic disc valves
Supply:	Suitable for all plumbing systems
Inlet Connections:	½" BSP
Water Pressure:	Min. 0.2 bar, Max. 8.0 bar



Additional Information

- Supplied with metal handles
- Chrome plated to BS EN 248

Technical Advice: For further information please call 0844 7016273 or email customer care@bristan.com.
Guarantee: 5 years covering manufacturing faults.

Compliance/Approvals

WRAS: Pending

Flow Rates (litres per minute)

System Pressure	0.2bar	0.5bar	1bar	2bar	3bar	5bar
QST ½ C	8.1	13.2	18.7	26.5	32.4	41.8