

TECHNICAL DATASHEET

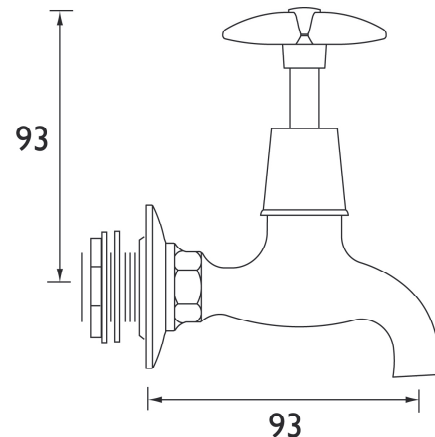
BRISTAN

Value Cross Head Range

Value Cross Head Bib Taps Chrome

Product Specification

Product Code:	VAX BIB C
Finishes:	Chrome
Product Type:	Contemporary
Construction:	Taps bodies are of all brass construction
Cartridge/Valve Type:	1/2" Standard valve
Supply:	Suitable for all plumbing systems, ideally balanced.
Inlet Connections:	1/2" BSP
Water Pressure	Min 0.2 bar, Max 7.0 bar



Additional Information

- Supplied with Metal Heads
- Chrome plated to BS EN 248

Technical Advice: For further information please call 0844 7016273 or email customercontact@bristan.com

Guarantee: 5 year covering manufacturing faults.

Compliance / Approvals

WRAS: Certificate No. 0909013

Performance

System Pressure	0.2bar	0.4bar	1bar	2bar	3bar	5bar
Flow Rate (litres per min.)	11.3	14.4	22.3	33.3	40.7	52.6

Bristan, Birch Coppice Business Park, Dordon, Tamworth, B78 1SG
Telephone: 0844 701 6274 Facsimile: 0844 701 6275
Web Site: www.bristan.com Email: enquire@bristan.com

Rev D2

