

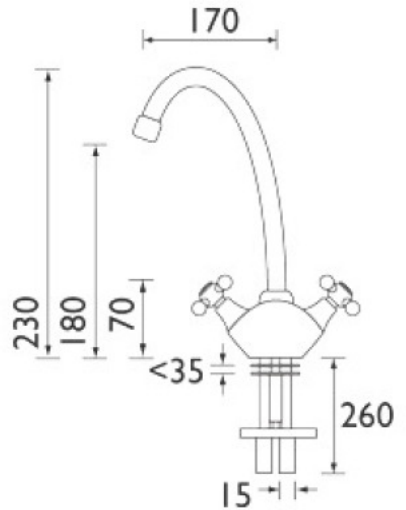
## TECHNICAL DATASHEET

### REGENCY

REGENCY MONOBLOC SINK MIXER CHROME/GOLD

### Product Specification

**Product Code:** RG SNK C / RG SNK G  
**Finish:** Chrome / Gold  
**Product Type:** Traditional  
**Construction:** Bodies are of brass construction and are designed to conform to BS EN 200  
**Valve Type:** Non-rising 1/2" standard washer valve  
**Supply:** Suitable for all plumbing systems, ideally balanced  
**Inlet Connections:** 15mm Copper tail pipes  
**Working Pressures:** Min 0.2bar, Max 8.0bar



### Additional Information

- Dual flow
- Compatible with the following flow limiters: ECO TAP1, ECO TAP2, ECO TAP3, ECO TAP4, ECO TAP5 and ECO TAP6
- Flow limiters have to be fitted into a 15mm compression fitting
- Chrome plated to BS EN 248

**Technical Advice:** For further information please call 0844 7016273 or email [customercare@bristan.com](mailto:customercare@bristan.com)  
**Guarantee:** 5 years covering manufacturing faults

### Compliance/Approvals

WRAS Certificate No: 0910009

#### Flow Rates (litres per minute)

System Pressure	0.2bar	0.5bar	1bar	2bar	3bar	5bar
RG SNK C	5.3	8.2	11.8	16.8	20.9	27.0

Bristan, Birch Coppice Business Park, Dordon, Tamworth, B78 1SG  
 Telephone: 0844 701 6274 Facsimile: 0844 701 6275  
 Web Site: [www.bristan.com](http://www.bristan.com) Email: [enquire@bristan.com](mailto:enquire@bristan.com)  
 D2



The information contained on this page was correct at date of issue. Fitting dimensions are provided as a guide only. Some variation may occur due to manufacturing tolerances. Bristan pursues a policy of continuing improvement in design and performance of its products and so reserves the right to change specifications without prior notice.