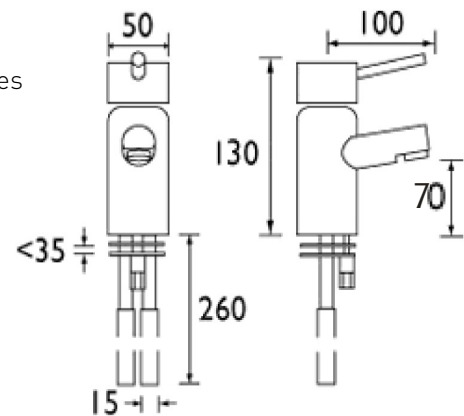


TECHNICAL DATASHEET

PRISM BASIN MIXER WITHOUT WASTE

Product Specification

Product Code:	PM BASNW W / PM BASNW B
Finish:	White / Black
Product Type:	Contemporary
Construction:	Body is of all brass construction and is designed to conform to BS EN 817
Cartridge Type:	40mm ceramic disc cartridge
Supply:	Suitable for all plumbing systems, ideally balanced applications
Inlet Connections:	M10 x 15mm screw-in copper connection pipes
Water Pressure:	Min. 0.2bar, Max. 8.0bar



Additional Information

- Chrome plated to BS EN 248 (peg, flow straightener housing, plinth)

Technical Advice: For further information please call 0844 7016273 or email customer@bristan.com.
Guarantee: 5 years covering manufacturing faults.

Compliance/Approvals

WRAS: Pending

Flow Rates (litres per minute)

System Pressure	0.2bar	0.5bar	1bar	2bar	3bar	5bar
PM BASNW W/B	6.4	10.3	14.8	20.6	25.4	32.3

Bristan, Birch Coppice Business Park, Dordon, Tamworth, B78 1SG
 Telephone: 0844 701 6274 Facsimile: 0844 701 6275
 Web Site: www.bristan.com Email: enquire@bristan.com

