

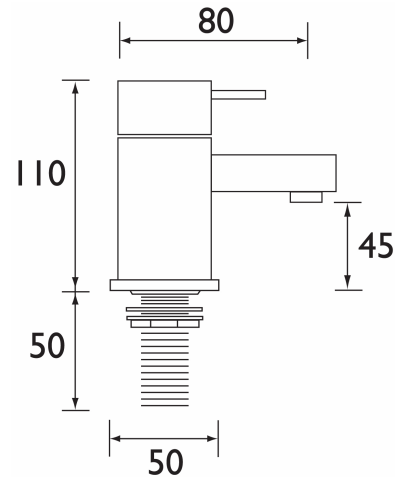
## TECHNICAL DATASHEET

### QUADRATO

### QUADRATO BATH TAPS CHROME

#### Product Specification

<b>Product Code:</b>	QD ¾ C
<b>Finishes:</b>	Chrome
<b>Product Type:</b>	Contemporary
<b>Construction:</b>	Bodies are of all brass construction and are designed to conform to BS EN 200
<b>Cartridge/Valve Type:</b>	¼ turn ¾" ceramic disc valves
<b>Supply:</b>	Suitable for all plumbing systems, ideally balanced
<b>Inlet Connections:</b>	¾" BSP
<b>Outlet Connection:</b>	Flow straightener M24
<b>Water Pressure:</b>	Min. 0.2 bar, Max. 8.0 bar



#### Additional Information

- Metal handles
- Chrome plated to BS EN 248

**Technical Advice:** For further information please call 0844 7016273 or email [customer@bristan.com](mailto:customer@bristan.com).  
**Guarantee:** 5 years covering manufacturing faults.

#### Compliance/Approvals

**WRAS:** Pending

#### Flow Rates

System Pressure	0.2bar	0.5bar	1bar	2bar	3bar	5bar
Q ¾ C	10.5	17.6	24.9	35.3	43.6	56.5