

TECHNICAL DATASHEET

PRISM

PRISM THREE HOLE WALL MOUNTED BATH FILLER

Product Specification

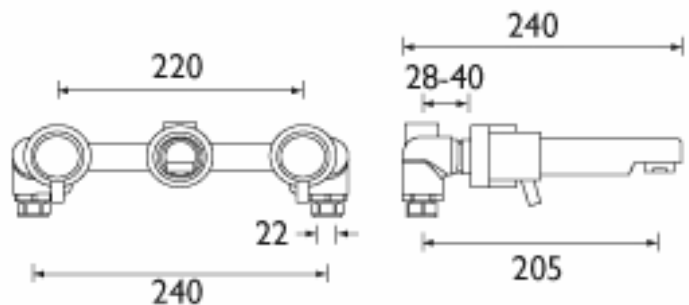
Product Code:	PM 3HWMBF C
Finish:	Chrome
Product Type:	Contemporary
Construction:	Body is of brass construction and is designed to conform to BS EN 200
Valve Type:	¼ turn ¾" ceramic disc valves
Supply:	Suitable for all plumbing systems
Inlet Connections:	22mm compression
Water Pressure:	Min 0.2 bar, Max 8.0 bar



© Bristan Group 2009

Additional Information

- Supplied with metal handles.
- Chrome plated to BS EN 248.



Technical Advice: For further information please call 0844 7016273 or email customercare@bristan.com
Guarantee: 5 years covering manufacturing faults

Compliance/Approvals

WRAS: Pending

Flow Rates (litres per minute)

System Pressure	0.2bar	0.5bar	1bar	2bar	3bar	5bar
PM 3HWMBF C	22.0	36.0	52.1	74.0	90.6	117.0