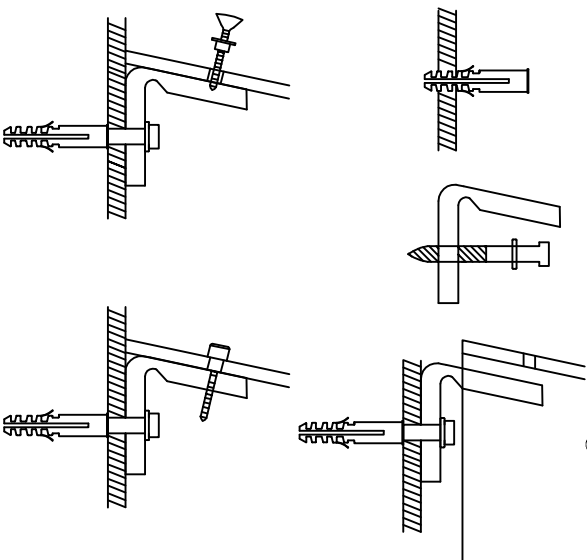


**Caution**

Care should be taken when drilling into walls and floors to avoid any sunken wires or pipes . The fixings supplied with this pack are suitable for solid walls only .Plasterboard or stud walls may require specialist fixings (not supplied).

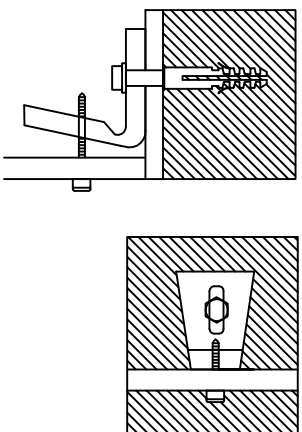
**FC100SET5BZZ00**

**Horizontal floor Pan and Bidet fixing**



**FC100SET5BZZ00**

**Horizontal Semi pedestal fixing**



**WC/ BIDET**

1. Place WC / bidet into position and mark the Position of the screw holes and the outer edge of the WC / bidet foot .
2. Secure the brackets using the hexagonal head screws and washers, the plastic plugs are for use when fixing to concrete or ceramic tiled floor
3. Replace WC / bidet into position and secure using countersunk .

**PEDESTAL**

1. Place pedestal under the basin and mark the position of the screw holes and outer edge of the pedestal .
  2. Secure the brackets using the hexagonal head screw and washers , the plastic plugs are for use when fixing to solid walls
  3. Replace pedestal into position and secure using countersunk head screws and caps .
- Note: Semi-ped is not load bearing fixture after installation. Ensure specified fixing for washbasin are used .

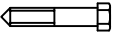
**Technical Data**



Drill  
Ø 10 mm



Plastic plugs  
S10  
2-off



hexagonal head  
screws 6x50mm  
2-off



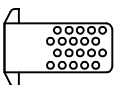
Washers  
2-off



countersunk head  
screws 5x50mm  
2-off



Cap covers  
& bushes  
2-off



Fixing brackets  
2-off