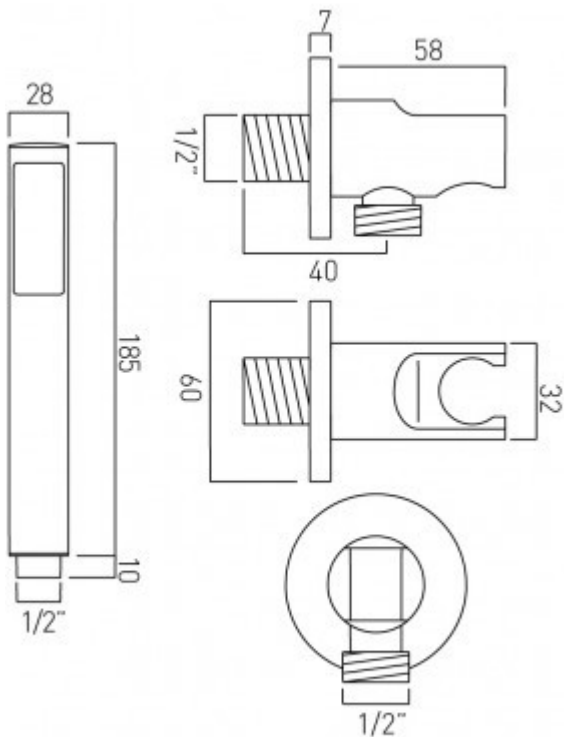




technical drawing



description:

single function mini shower kit
wall mounted
with hose and bracket with integral outlet
1/2" inlet

finishes:

chrome

minimum operating pressure: 1.0 bar MP

ECO **flow regulator:** FR-SHOWER/9-C/P

guarantee:

12 year guarantee

VADO wedmore road cheddar somerset england bs27 3eb

tel 01934 744466 fax 01934 744345 sales@vado-uk.com www.vado-uk.com