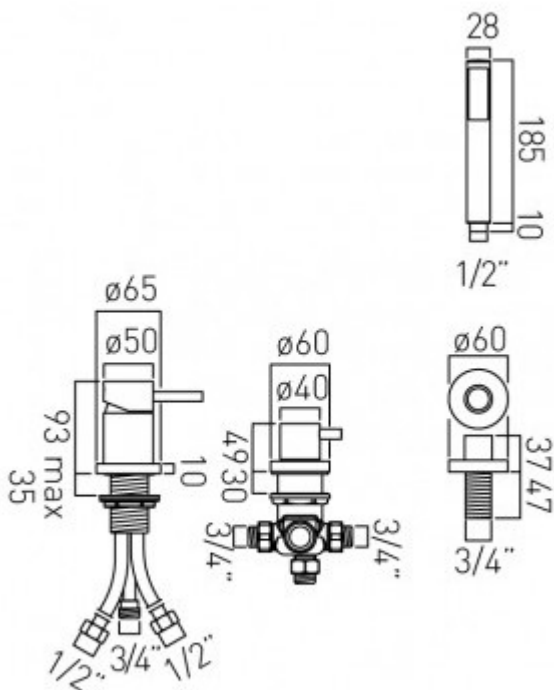




technical drawing



description:

3 hole bath shower mixer
single lever
deck mounted
without spout
for use with bath filler waste and overflow
ceramic cartridge CAR-K40A
2 x 3/4" x 3/4" x 600mm flexipipe connections
1 x 1/2" female x 3/8" male x 600mm flexipipe connections
1 x 1/2" nut x 350mm fitted flexipipe connection to valve
valve deck mount drill hole diameter 40mm
diverter deck mount drill hole diameter 45mm
handset deck mount drill hole diameter 28mm

finishes:

chrome

minimum operating pressure: 3.0 bar HP

Ecob flow regulator: FR-SHOWER/9-C/P

guarantee:

12 year guarantee

VADO wedmore road cheddar somerset england bs27 3eb

tel 01934 744466 fax 01934 744345 sales@vado-uk.com www.vado-uk.com