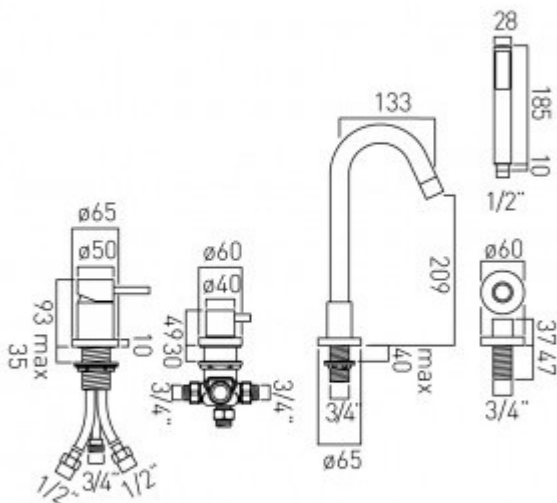




technical drawing



description:

4 hole bath shower mixer
single lever
deck mounted
spout can swivel or be fixed
with water flow aerator
ceramic cartridge CAR-K40A
2 x $3/4" \times 3/4" \times 600$ mm flexipipe connections
1 x $1/2"$ female x $3/8"$ male x 600mm flexipipe connections
1 x $1/2"$ nut x 350mm fitted flexipipe connection to valve
valve deck mount drill hole diameter 40mm
spout deck mount drill hole diameter 28mm
diverter deck mount drill hole diameter 45mm
handset deck mount drill hole diameter 28mm

finishes:

chrome

minimum operating pressure: 3.0 bar HP

Eco flow regulator: FR-SHOWER/9-C/P

guarantee:

12 year guarantee

VADO wedmore road cheddar somerset england bs27 3eb

tel 01934 744466 fax 01934 744345 sales@vado-uk.com www.vado-uk.com