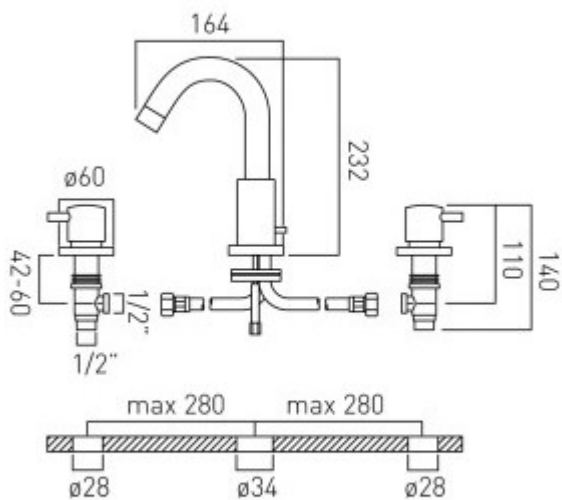




technical drawing



description:

3 hole basin mixer
deck mounted
spout can swivel or be fixed
with pop-up waste
with water flow straightener
with water flow aerator
cold ceramic cartridge ELE-VALVE/CD/CL-1/2
hot ceramic cartridge ELE-VALVE/CD/HT-1/2
2 x 1/2" nut x 300mm flexipipe connections
(extended 10mm end)

finishes:

chrome

minimum operating pressure: 0.2 bar LP

ECO flow regulator: FR-100/5-PLA

guarantee:

12 year guarantee

VADO wedmore road cheddar somerset england bs27 3eb

tel 01934 744466 fax 01934 744345 sales@vado-uk.com www.vado-uk.com