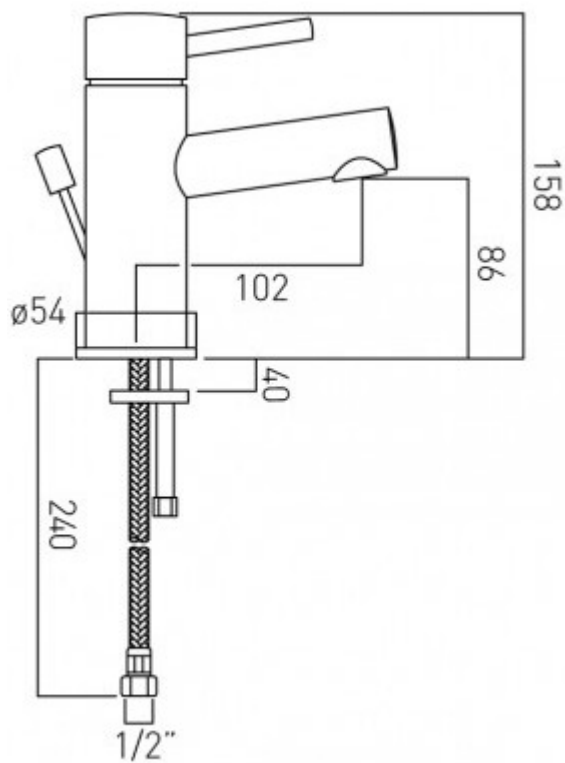




technical drawing



description:

mono basin mixer
single lever
deck mounted
with pop-up waste
with water flow straightener
with water flow aerator
ceramic cartridge CAR-K40A
deck mount drill hole diameter 35mm

finishes:

chrome

minimum operating pressure: 0.2 bar LP

ECO flow regulator: FR-100/5-PLA

guarantee:

12 year guarantee

VADO wedmore road cheddar somerset england bs27 3eb

tel 01934 744466 fax 01934 744345 sales@vado-uk.com www.vado-uk.com