

Twyford

X62 Tap Range

This instruction booklet covers:

X625205CP, X625215CP, X625255CP, X625265CP,
X625122CP, X625126CP, X625135CP



Please keep these instructions for future reference

Contents

Thank you for choosing Twyford. We have designed this product with your enjoyment in mind. To ensure that it works to its full potential, it needs to be fitted correctly. These fitting instructions have been created to give you all of the information you need and, if you need any further help, please do not hesitate to give us a call on 0844 412 5951

Important Safety Information	04
General Specifications	04
Dimensions	05-11
Installation Requirements	12
Installation	12-14
Basin & Bath Pillar Taps	12
Bath Filler & Bath Shower Mixer	13
Basin Mixer, Mini Basin Mixer & Bidet Mixer	14
Flow Limiters	15
Maintenance	16
Troubleshooting	17
Guarantee	18
Notes	19


Important Safety Information

Please read these instructions thoroughly and retain for future use.

All products manufactured and supplied by Twyford are safe provided they are installed correctly, used correctly and receive regular maintenance in accordance with these instructions.

If you are in any doubt about your ability to install this product safely you must employ the services of an experienced qualified plumber.

Remove all packaging and check the components for damage before starting installation.

 Before starting any installation please consider the following: Prior to drilling into walls, check that there are no hidden electrical wires, cables or water supply pipes. This can be checked with the aid of an electronic detector.

If power tools are used do not forget to:

- Wear eye protection
- Unplug equipment after use

This product **must** not be modified from the original design as this will invalidate the guarantee.

These fittings need to be installed in accordance with and meet the requirements of the Water Supply (Water Fittings) Regulations 1999 and Scottish Byelaws 2004.

General Specifications

Operating Pressure Range (bar)	Min	Max
Bidet Mixer (X625135CP)	0.2	5.0
Mini Basin Mixer (X625122CP)	0.4	5.0
Basin Taps (X625205CP)	0.2	5.0
Bath Taps (X625215CP)	1.0	5.0
Basin Mixer (X625126CP)	0.3	5.0
Bath Filler (X625255CP)	1.0	5.0
Bath Shower Mixer (X625265CP)	1.0	5.0

Maximum static pressure – 10.0 bar

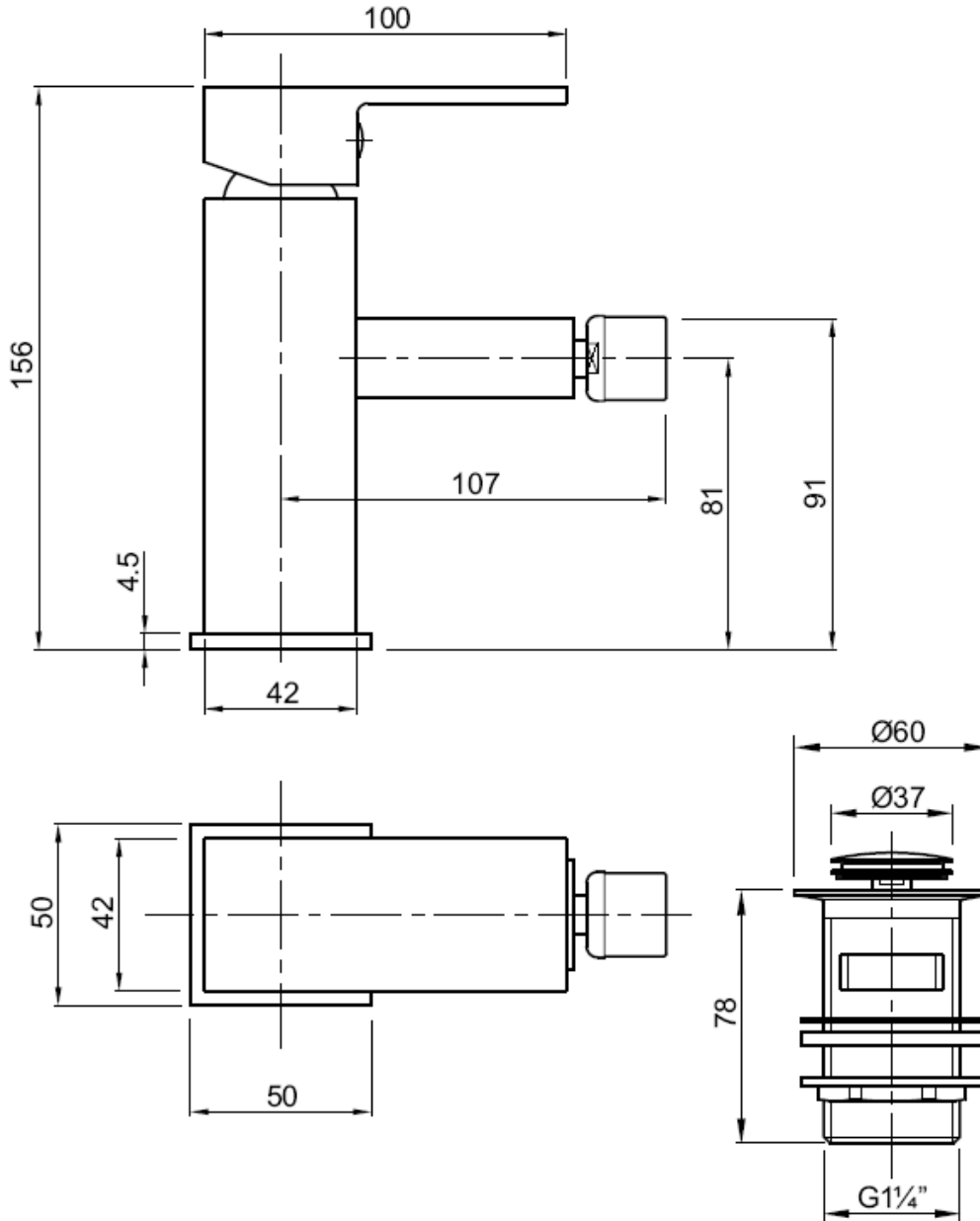
Nominally equal (balanced) inlet supply pressures are recommended for optimum performance of mixer taps.

Designed to comply with BS EN 200 for single taps / combination taps for water systems of type 1 and 2 general technical specifications; and to be used within systems designed to BS 6700.

BS 6700 recommends the temperature of stored water should never exceed 65°C. A stored water temperature of 60°C is considered sufficient to meet all nominal requirements and will minimise the build up of lime scale in hard water areas.

Deck Mounted Bidet Mixer & Clicker Waste – X625135CP

Dimensions



Note: Maximum surface thickness to fit tap to is 44mm

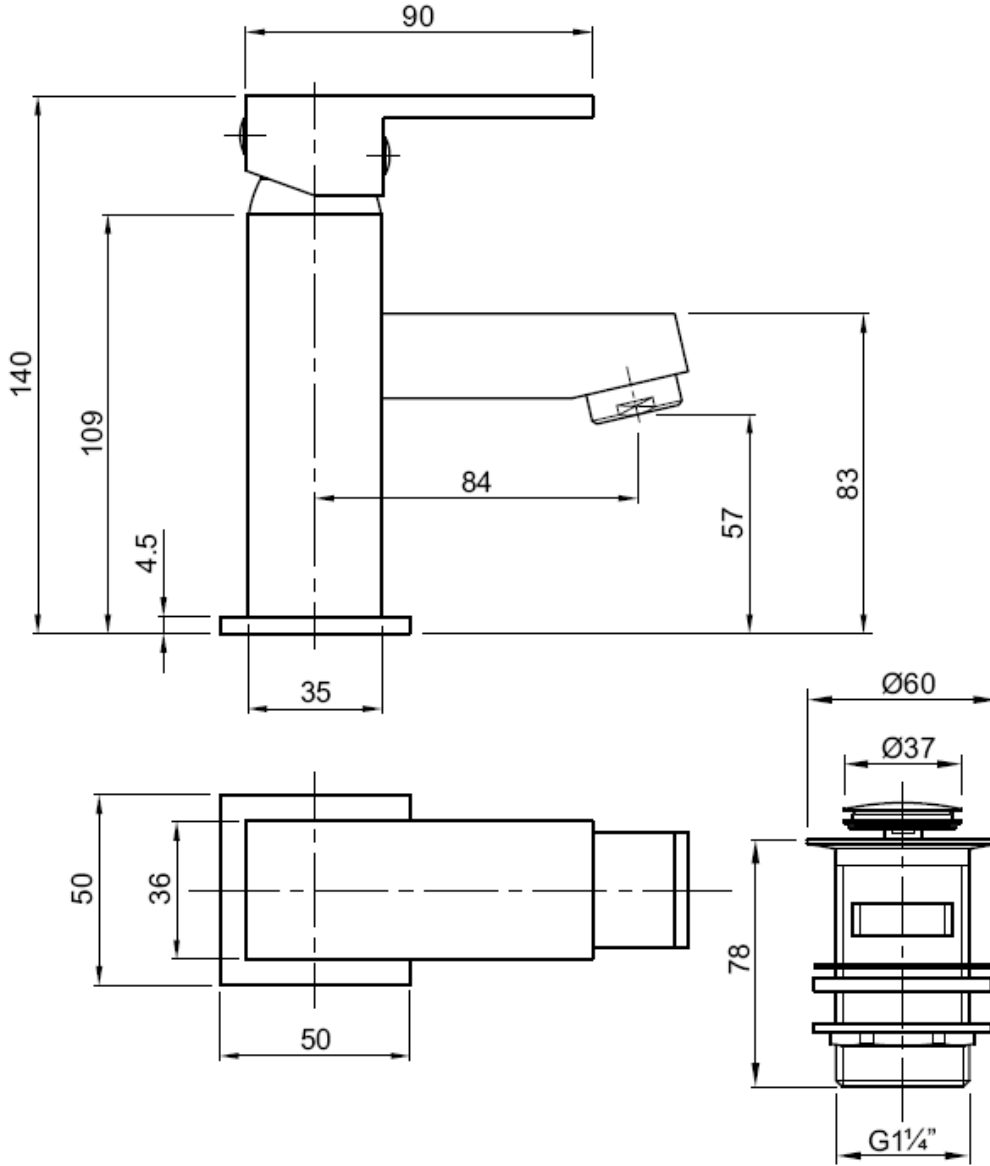
Build of Materials

1 * Instructions	1 * Clicker Waste
1 * Deck Mounted Bidet Mixer	1 * Plinth for Bidet Mixer
2 * 1/2" Female BSP x M10 Flexi hoses (350mm)	1 * Securing Bracket

Flow Rate (litre's per minute)	0.2 Bar	0.5 Bar	1.0 Bar	2.0 Bar	3.0 Bar	5.0 Bar
Standard Mixed	5.1	8.7	12.7	18.3	22.7	29.4

Deck Mounted Mini Basin Mixer & Clicker Waste – X625122CP

Dimensions



Note: Maximum surface thickness to fit tap to is 44mm

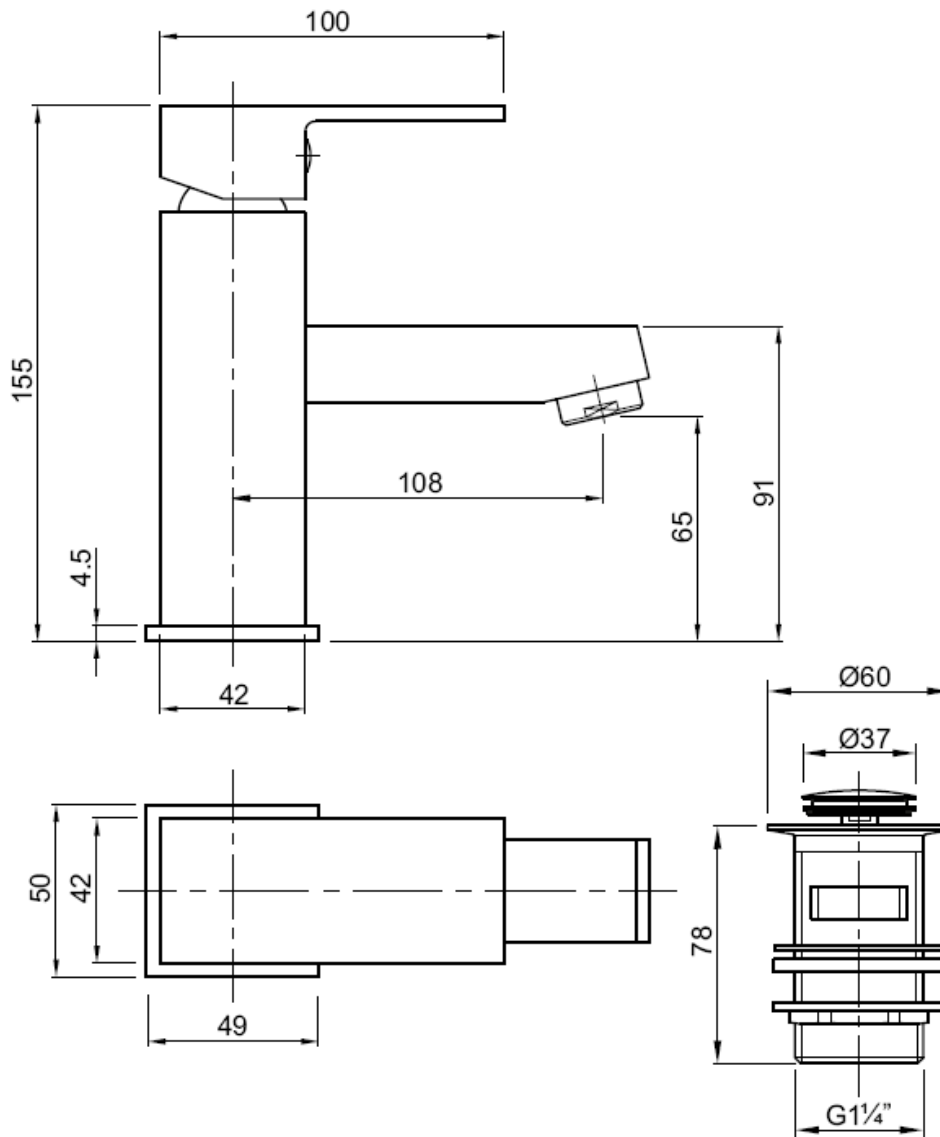
Build of Materials

1 * Instructions	1 * Clicker Waste
1 * Deck Mounted Mini Basin Mixer	1 * Plinth for Mini Basin Mixer
2 * 1/2" Female BSP x M10 Flexi hoses (350mm)	1 * Securing Bracket

Flow Rate (litre's per minute)	0.2 Bar	0.5 Bar	1.0 Bar	2.0 Bar	3.0 Bar	5.0 Bar
Standard Mixed	3.2	5.1	7.3	10.5	12.2	16
Flow Limiter Fitted (Part No: XS9075XX)	1.9	3.20	4.80	6.50	6.70	7.00

Deck Mounted Basin Mixer with Clicker Waste – X625126CP

Dimensions



Note: Maximum surface thickness to fit tap to is 44mm

Build of Materials

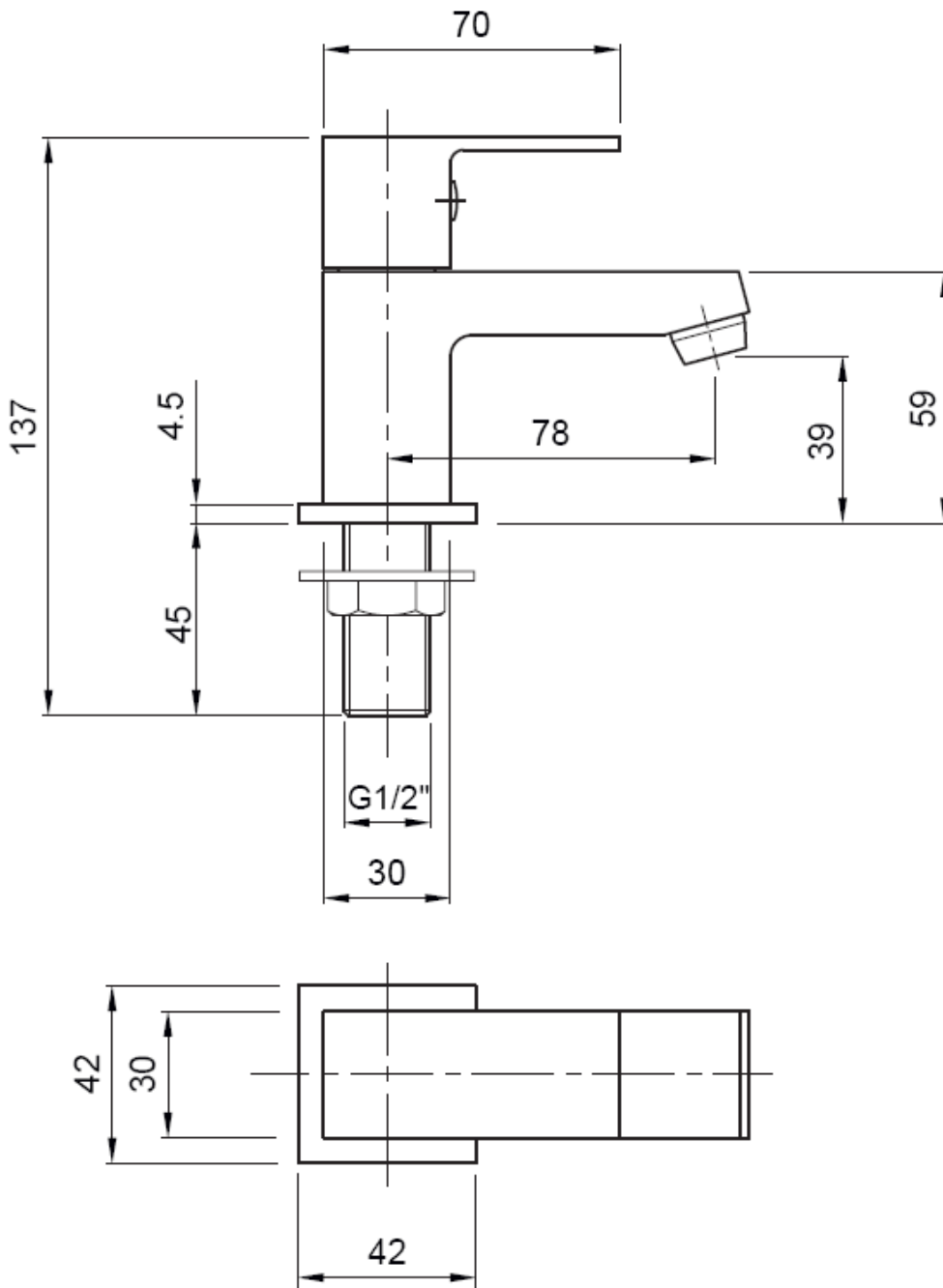
1 * Instructions	1 * Clicker Waste
1 * Deck Mounted Basin Mixer	1 * Plinth for Basin Mixer
2 * 1/2" Female BSP x M10 Flexi hoses (350mm)	1 * Securing Bracket

Flow Rate (litre's per minute)	0.2 Bar	0.5 Bar	1.0 Bar	2.0 Bar	3.0 Bar	5.0 Bar
Standard Mixed	5.2	9.2	13.7	19.7	24.2	31.8
Flow Limiter Fitted (Part No: XS9075XX)	2.22	3.70	5.35	6.7	6.40	6.50

Twyford

1/2" Basin Pillar Taps – X625205CP

Dimensions



Note: Maximum surface thickness to fit tap to is 33mm

Build of Materials

1 * Instructions

2 * 1/2" Basin Pillar Taps

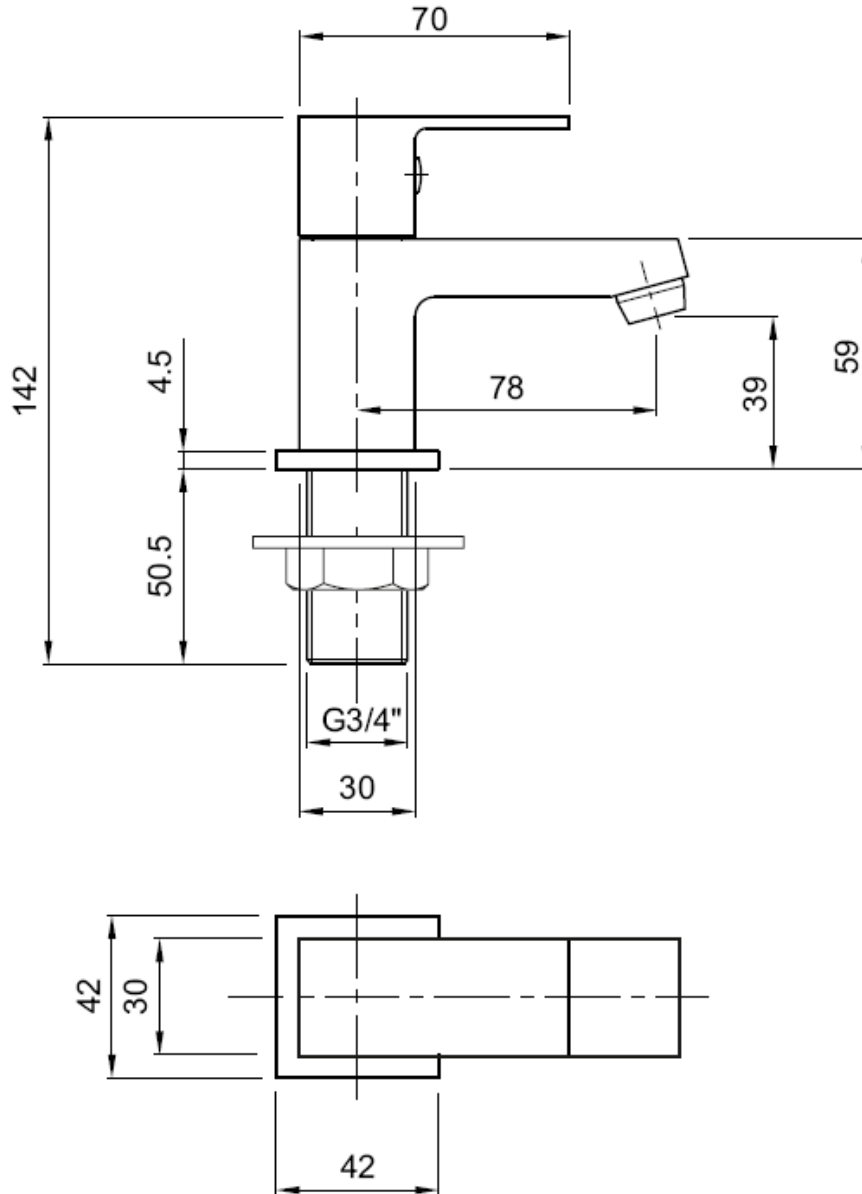
2 * Rubber Washers

2 * 1/2" Back Nuts

Flow Rate (litre's per minute)	0.2 Bar	0.5 Bar	1.0 Bar	2.0 Bar	3.0 Bar	5.0 Bar
Standard	7.2	11.2	16.0	22.7	27.9	36.0
With Flow Limiters Fitted (Part No: XS9006XX)	2.9	4.8	5.2	5.6	6	6

3/4" Bath Pillar Taps – X625215CP

Dimensions



Note: Maximum surface thickness to fit tap to is 33mm

Build of Materials

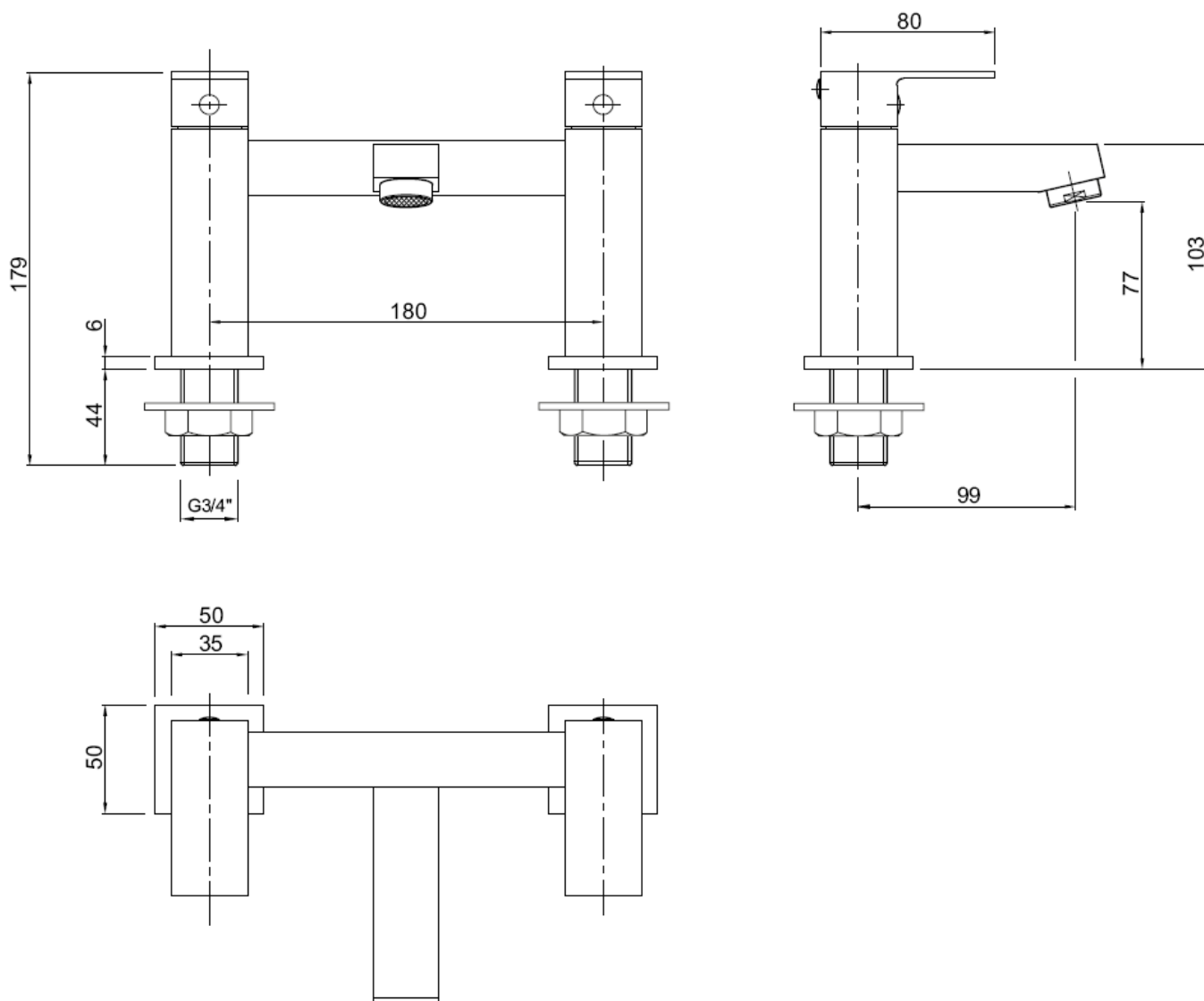
1 * Instructions	1 * Bath Filler Deck with 3/4" Inlets
2 * Rubber Washers	2 * 3/4" Back Nuts

Flow Rate (litre's per minute)	0.2 Bar	0.5 Bar	1.0 Bar	2.0 Bar	3.0 Bar	5.0 Bar
Mixed Standard	6.9	11.2	15.4	22.3	27.6	35.3

Twyford

Deck Mounted Bath Filler – X625255CP

Dimensions



Note: Maximum surface thickness to fit tap to is 33mm

Build of Materials

1 * Instructions

1 * Bath Filler Deck with 3/4" Inlets

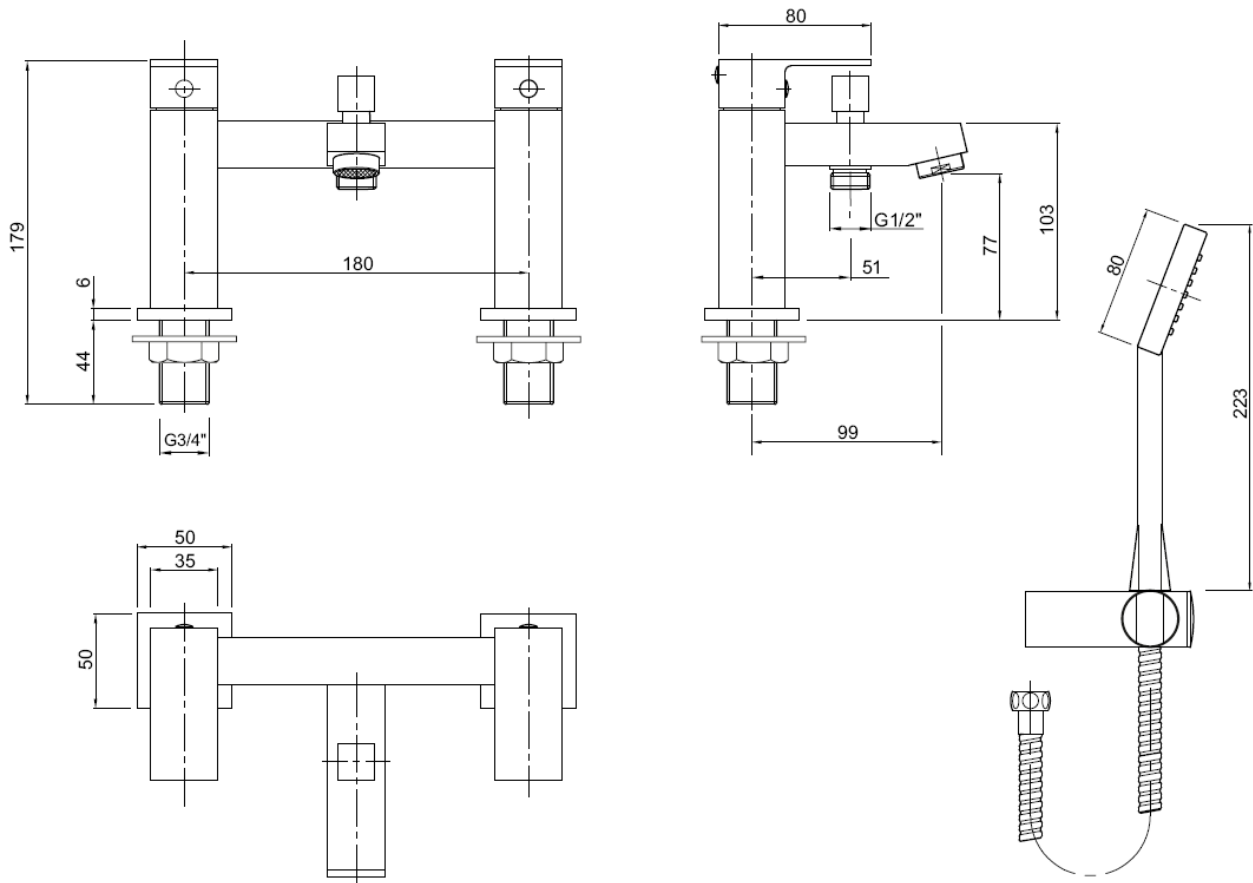
2 * Rubber Washers

2 * 3/4" Back Nuts

Flow Rate (litre's per minute)	0.2 Bar	0.5 Bar	1.0 Bar	2.0 Bar	3.0 Bar	5.0 Bar
Mixed Standard	9.4	15.9	23.1	32.7	37.8	46.03

Deck Mounted Bath Shower Mixer – X625265CP

Dimensions



Note: Maximum surface thickness to fit tap to is 33mm

Build of Materials

1 * Instructions	1 * Bath Shower Mixer with 3/4" Inlets
1 * Handset	1 * Shower head holder & Fixings
1 * 1.5 Metre Shower Hose	2 * 3/4" Back Nuts
2 * Rubber Washer	

Flow Rate (litre's per minute)	0.2 Bar	0.5 Bar	1.0 Bar	2.0 Bar	3.0 Bar	5.0 Bar
Mixed Tap Outlet	7.5	12.8	18.6	26.6	32.6	42.7
Handset	2.5	6.5	9.5	15.0	18.8	25.4
Flow Limiter fitted in Handset (Part No: XS9008XX)	2.3	4.4	6	8	7.5	6.8

Installation Requirements

IMPORTANT - PLEASE READ

This product has been tested to the Water Regulations Advisory Scheme (WRAS) and satisfies the requirements of the Water Supply (Water Fittings) Regulations 1999 and current bylaws.

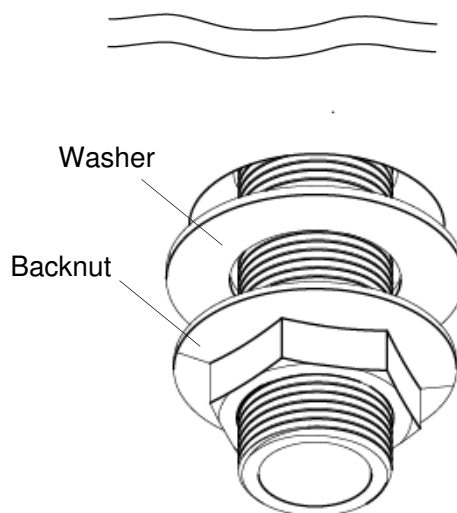
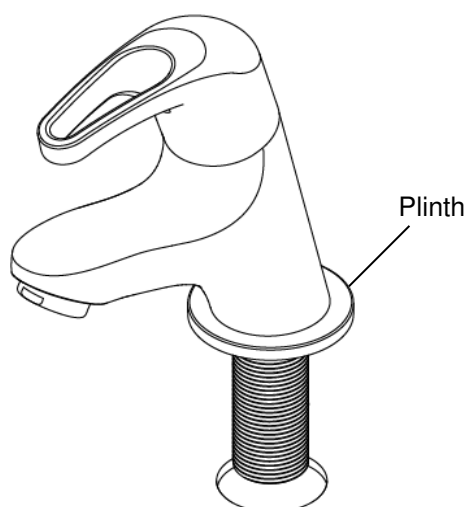
For full Installation Requirements & Notes (IRN) please visit www.wras.co.uk/directory.

Installation (X625205CP, X625215CP)

Basin & Bath Pillar Taps

Identify all components are present prior to starting the installation.

1. Slide the plinth onto the threaded tail and fit the tap body to the basin / bath.
2. Slide the washer onto the threaded tail and secure the tap to the basin / bath by tightening the backnut. A suitable spanner may be required to fully tighten the backnut,
3. Connect the hot and cold water supplies to the threaded tails using either a 1/2" or 3/4" BSP connector or preferably an isolation valve for future servicing convenience (not supplied).
4. Turn on water supplies and turn both taps to the on position, letting the water flow for a few minutes and purging all air.
5. Check all joints and connections for any leaks.



Drawings for illustration purposes only

Installation continued (X625255CP, X625265CP)

Deck Mounted Bath Filler and Bath Shower Mixer

Identify all components are present prior to starting the installation.

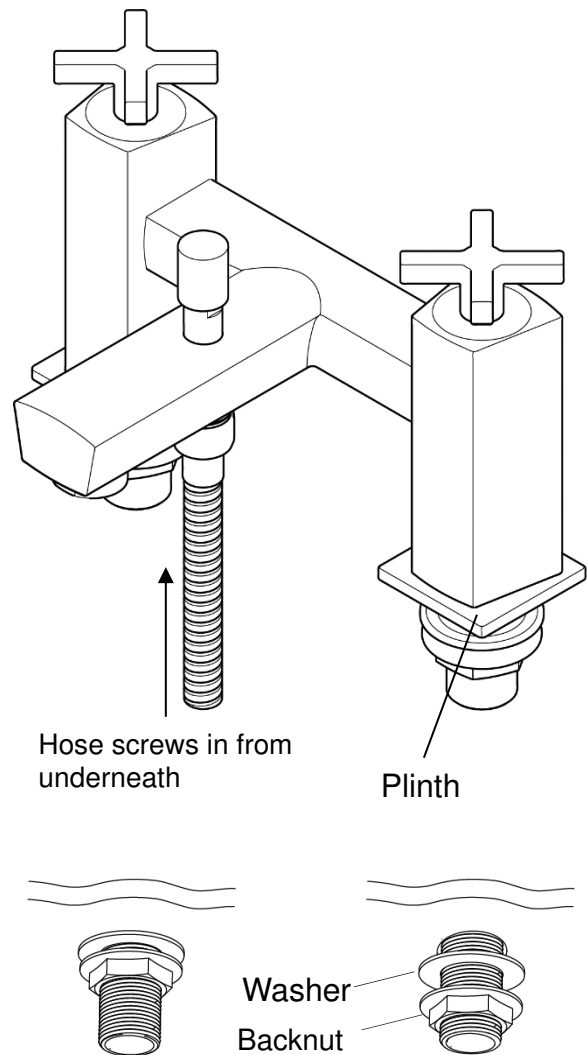
1. Fit the mixer body to the bath ensuring that the plinth and washer are between the body and bath.
2. Secure the mixer to the bath using the washers and plastic backnuts below the bath. Tighten the backnuts onto the threaded tails. A suitable spanner may be required to fully tighten the backnut.
3. Connect the hot and cold water supplies to the threaded tails using a $\frac{3}{4}$ " BSP connector or preferably an isolation valve for future servicing convenience (not supplied).
4. **Bath Shower Mixer only** - fit the shower hose to the hose outlet using the small sealing washer, and the handset to the hose using the small washer.

⚠ Prior the drilling into walls, check there no hidden electrical wires, cables or water supply pipes with the aid of an electronic detector.

If you use power tools do not forget to:

- Wear eye protection
- Unplug equipment after use

5. Fit the wall bracket (not shown) to the wall using the fixings supplied, ensuring the handset and hose reaches it.
6. To switch from bath to shower mode, pull the diverter knob up, to revert back to bath filling mode push the diverter knob back down.
7. Turn on water supplies and turn both handles into the on position, letting the water flow for a few minutes and purging all air.
8. Check all joints and connections for any leaks.



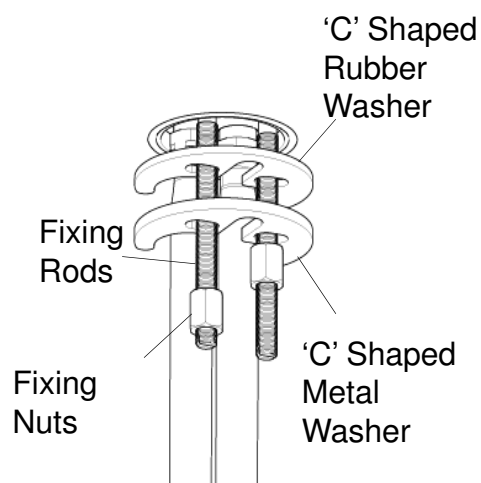
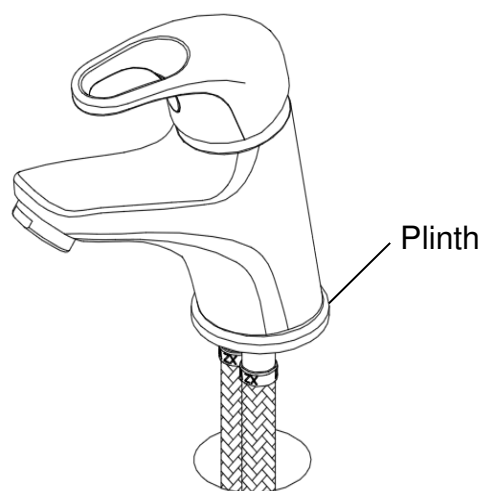
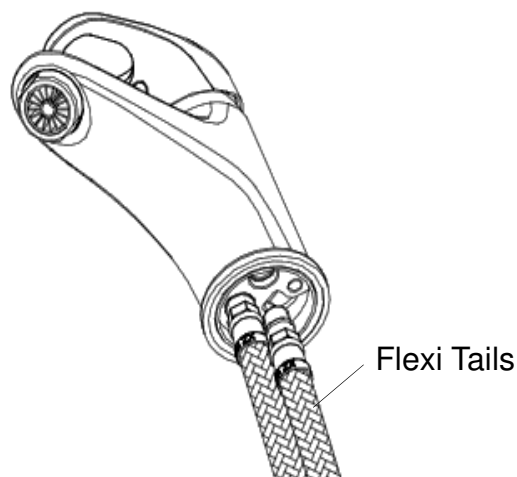
Drawings for illustration purposes only

Installation continued (X625126CP, X625122CP, X625135CP)

Basin Mixer/Bidet Mixer/Mini Basin Mixer

Identify all components are present prior to starting the installation.

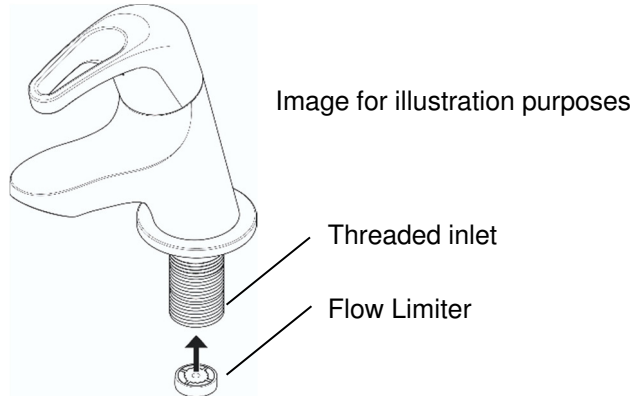
1. Screw the flexi tails into the bottom of the mixer body by **hand only (DO NOT OVERTIGHTEN)**.
2. Screw the fixing rods into the bottom of the mixer body.
3. Place the plinth over the hole in the basin, ensuring the washer is fitted between the plinth and the basin. Feed the flexi tails through hole in basin.
4. Slide 'C' shaped rubber washer and 'C' shaped metal washer onto the fixing rods up to the underside of the basin.
5. To secure the mixer in place tighten the fixing nuts onto the fixing rods until they are fully tightened against the 'C' shaped metal washer. The fixing nuts can be tightened with a suitable spanner.
6. Connect the flexi tails to the hot and cold water supplies.
7. Turn on water supplies, lift the mixer handle upwards and operate in both directions, letting the water flow for a few minutes and purging air.
8. Fit the clicker waste ensuring a rubber washer is fitted between the basin and the waste. Use a pure silicon sealant where necessary. Place the other rubber washer under the basin and secure by tightening the backnut, in order to fill the basin, the button in the middle of the waste needs to be pressed down. To release the water, press the button again.
9. Check all joints and connections for any leaks



Drawings for illustration purposes only

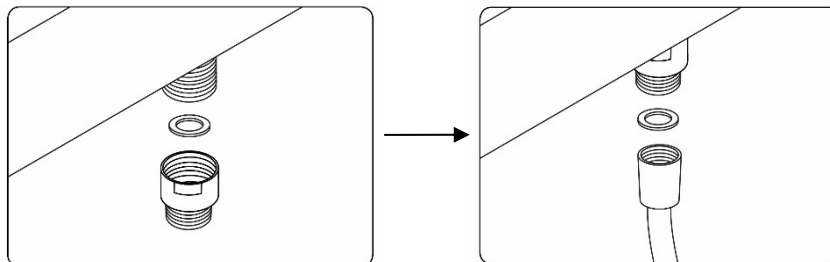
Flow limiters pillar taps

Twyford's Pillar Taps use push fitted flow limiters which are inserted into the threaded inlet area of the Taps. To install: The flow limiter should be inserted into the threaded tail of the tap with the arrow pointing upwards and the 'O' ring at the base. Make sure you isolate the water supply before disconnection.



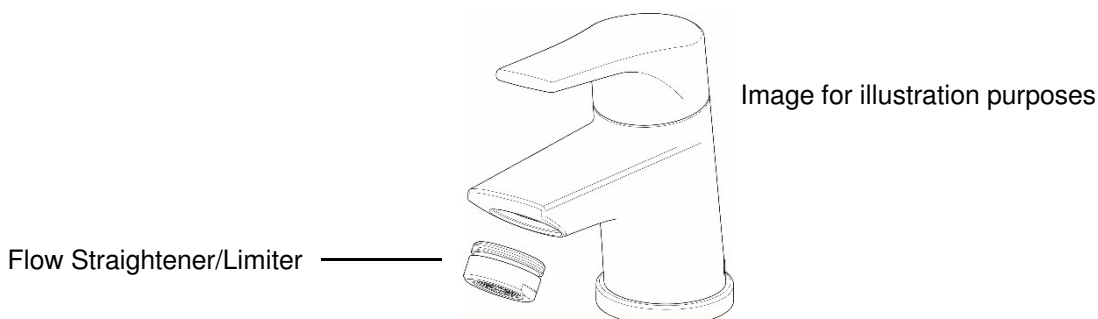
Flow limiters bath shower mixer taps

Twyford's Bath Shower Mixer Taps use flow limiters which are inserted via the threads in between the shower outlet on the tap and the hose inlet. To install: Insert the flow limiter and adapter in between the shower outlet on the body and the shower hose making sure the rubber washers are used.



Flow limiters

On Twyford's Basin and Mini Basin Mixer, the flow restrictor is incorporated into the flow Straightener in the spout.



Removal

Using a suitable spanner carefully unscrew the flow straightener from the tap spout.

Refitting

Make sure the rubber washer is positioned in between the spout and the flow straightener, carefully screw in the flow straightener into the tap spout and when hand tightened, very carefully nip up the flow straightener using a suitable spanner. **DO NOT OVERTIGHTEN.**

Maintenance

General Cleaning

Your fitting has a high quality finish and should be treated with care to preserve the visible surfaces. All finishes will degrade if not cleaned correctly. The only safe way to clean your product is to wipe with a soft damp cloth. Stains can be removed using washing up liquid.

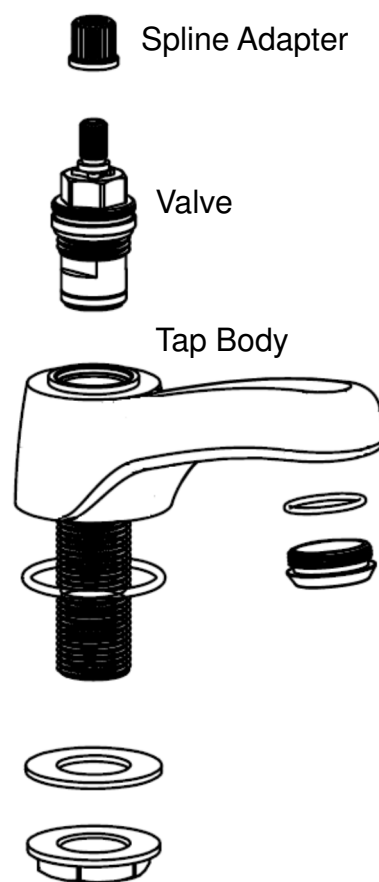
All bathroom cleaning products (powders and liquids) will damage the surface of your fitting, even the non-scratch cleaners.

Note: Never use abrasive detergents or disinfectants or those containing alcohol, hydrochloric acid or phosphoric acid.

We advise that your fitting is regularly serviced in hard water areas to maintain optimum performance.

If your fitting begins to leak the following should be carried out;

1. Isolate both hot and cold water supplies to the tap by either:
 - a) Turning the water supply off at the mains stopcock
 - b) Turning off the isolation valves to the tap.
2. Remove the handle to reveal the concealed spline adapter.
3. Using a suitable spanner remove the valve from the tap body.
4. Clean the valve and the seating inside the tap body.
5. If necessary replace the valve.
6. Replace the valve into the tap body and tighten fully using a suitable spanner.
7. Replace handle assembly.
8. Turn on water supply, purge all air and check for leaks.
9. Contact our helpline should if problem persists.



Drawings for illustration purposes only

Cleaning Shower Head Holes

To maintain the shower head, particularly in hard water areas, rub the nozzles clean with a damp cloth to remove any residue or scale from around the tips.

Troubleshooting

Symptom	Cause	Remedy
No flow or poor flow rate.	Partially closed stop or service valve in water supply pipework to the tap.	Open stop or service valve.
	Head of water is below the minimum distance required.	Refer to the Specification section for minimum pressures required.
	Possible airlock / blockage in supply pipework	Remove water supplies from the fitting and flush the system to remove any airlocks / debris.
	Cartridge / Valve not opening fully.	Service fitting. Refer to maintenance section on page 10.
Water dripping for a few seconds after the tap has been turned off.	This is caused by 'capillary action' and residual water in the spout being siphoned out. This should only last for a couple of seconds.	
Constant dripping / leaking when the tap is not in use.	Cartridge / Valve not fully shutting off.	Service fitting and replace cartridge / valve. Refer to maintenance section on page 10.
Fitting does not turn on.	Water supplies not turned on.	Check that the water supplies to the fitting are turned on.
	Closed stop or service valve.	Open stop or service valve.
Water does not come out of the showerhead when using the bath shower mixer.	Diverter mechanism not fully open.	Open the diverter mechanism fully by pulling the diverter knob up.
	Insufficient water pressure / header height.	Refer to the specification section for minimum pressures required.

Twyford

Twyford Guarantee

At Twyford, we want to make things as easy as possible for our customers. That's why we design products that are easy to fit and use, and that are quality tested to make sure they won't let you down. It's also why we offer solid guarantees on all products, effective from the date of purchase, to give you peace of mind.

These Twyford taps are covered by a **5 year guarantee**.

Guarantee Terms and Conditions

This guarantee is in addition to your statutory and other legal rights and is subject to the following conditions:

- The product was purchased within the United Kingdom or Republic of Ireland.
- The guarantee applies solely to the original purchaser with proof of purchase.
- The installation must allow ready access to all products for the purpose of inspection, maintenance or replacement.
- Repair under this guarantee does not extend the original expiry date. The guarantee on any replacement parts or products ends at the original expiry date.
- Any part found to be defective during the guarantee period will be replaced without charge, providing that the product has been installed in accordance with the instructions given in this guide and used as the manufacturer intended.

The guarantee does not cover damage or defects caused by:

General wear and tear (including special non-chrome finishes; components such as filters,

- seals, 'O' rings and washers)
- incorrect installation
- repair using non-Twyford parts
- accidental or wilful misuse
- corrosion and the use of inappropriate cleaning products.
- system debris including the build up of limescale (which can be controlled through regular servicing and maintenance).

The guarantee does not cover compensation for loss of use of the product or consequential loss of any kind.

In the interests of continuous product improvement, Twyford reserves the right to alter product specifications without notice.

The Twyford Product Guarantee does not affect your statutory rights as a consumer.

Need help?

If this product does not function correctly when first used, contact **Twyford Customer Service on 0844 412 5951 or 01270 871 480** where our expert team of advisors will be able to offer you help and advice.

Problems during the guarantee period

In the unlikely event that you encounter any problems with the product during the guarantee period, contact **Twyford Customer Service on 0844 412 5951 or 01270 871 480** with your proof of purchase and we will work to resolve the problem quickly.

Technical support hotline

(Tel: **0844 412 5951**) with access to fully trained advisors who can offer installation advice, talk you through quick maintenance checks, or recommend the best course of action to fix any problems with a product

Contact Us

For any queries please contact us or visit our website for further information:

Email: customerservice@twyfordbathrooms.com

Website: www.twyfordbathrooms.com

Telephone: 0844 412 5951 or 01270 871 480

Notes

Twyford

This instruction booklet covers:
X625205CP, X625215CP, X625255CP, X625265CP, X625122CP ,X625126CP, X625135CP

Twyford
Lawton Road
Alsager
Stoke-On-Trent
ST7 2DF
UK

UK Technical Helpline

Telephone: 0844 412 5951

Or 01270 871480

Email: customerservice@twyfordbathrooms.com

Website: www.twyfordbathrooms.com

FI (X62 RANGE) – REV. D1