

TECHNICAL DATASHEET

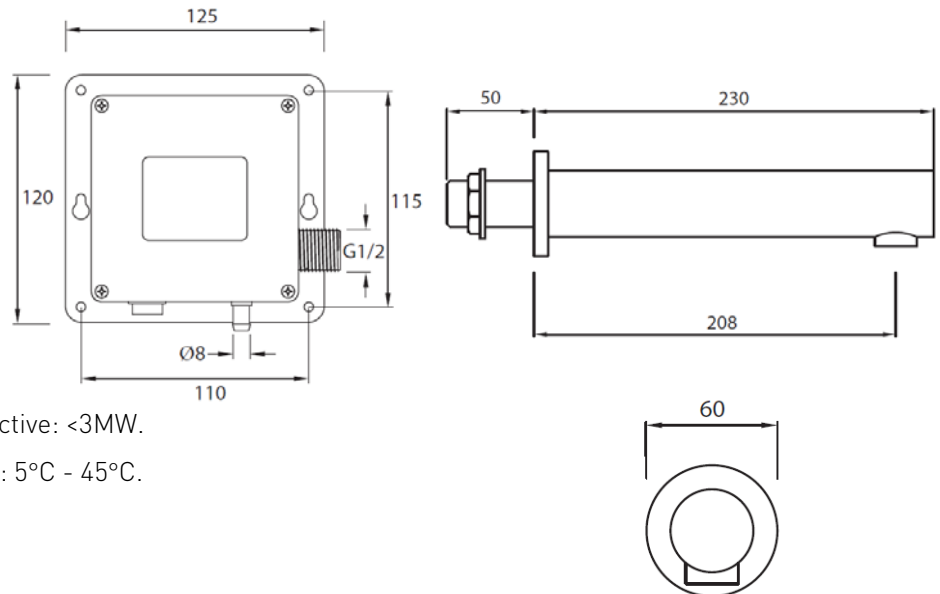
COMMERCIAL

Infrared Automatic Basin Spout

Product Specification



Product Code:	IRWS1-CP
Finish:	Chrome
Product Type:	Commercial
Construction:	Body is of brass construction
Power Supply:	AC: 220V-240V, 50/60HZ DC: 6V (4x AA alkaline batteries (not supplied))
Water Supply:	Suitable for high pressure systems
Working Pressures:	Min 1.0bar, Max 5.0bar Maximum Static Pressure: 10.0 bar



Additional Information

- 55 seconds (± 5 seconds) timed flow.
- 23-26cm sensing range.
- Power consumption: Static <0.3MW Active: <3MW.
- Inlet water supply temperature range: 5°C - 45°C.
- Battery override
- Low battery warning light
- Water efficient – Water will only flow when the hands are in the sensing range

Technical Advice: For further information please call 0844 7016273 or email customer@bristan.com

Guarantee: 1 year covering manufacturing faults.

Compliance / Approvals

BREEAM Compliant

WRAS Approved: Certificate Number: 1304069

Flow Rates (litres per minute)

System Pressure	0.5bar	1bar	2bar	3bar	4bar	5bar
	1.6	2.9	4.2	4.3	4.0	3.9

Bristan, Birch Coppice Business Park, Dordon, Tamworth, B78 1SG
Telephone: 0844 701 6274 Facsimile: 0844 701 6275
Web Site: www.bristan.com Email: enquire@bristan.com



The information contained on this page was correct at date of issue. Fitting dimensions are provided as a guide only. Some variation may occur due to manufacturing tolerances. Bristan pursues a policy of continuing improvement in design and performance of its products and so reserves the right to change specifications without prior notice.