

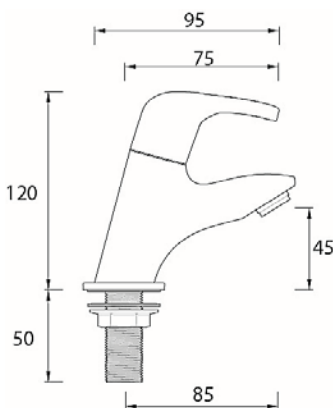
# TECHNICAL DATA SHEET

# BRISTAN

## CADET BASIN TAP

### Product Specification

**Product Code:** CAD ½ C  
**Finish:** Chrome plated  
**Product Type:** Contemporary  
**Construction:** Bodies are of all brass construction and is designed to conform to BS EN 200  
**Valve Type:** ¼ Turn ½ " CD Valve  
**Supply:** Suitable for all plumbing systems  
**Inlet Connections:** ½ " BSP  
**Working Pressures:** Min 0.2 Bar Max 5.0 Bar



### Additional Information

- Chrome plated to BS EN 248.
- Supplied with metal handles.
- Supplied with metal backnuts.

**Technical Advice:** For further information please call 0844 7016273 or email [customer care@bristan.com](mailto:customer care@bristan.com).

**Guarantee:** 5 years covering manufacturing faults.

### Flow Rates (litres per minute)

System Pressure	0.2 bar	0.3 bar	0.5 bar	1.0 bar	2.0 bar	3.0bar	4.0bar	5.0bar
CAD ½ C (hot)	7.6	9.8	13.4	20.1	28.7	34.7	41	45.1
CAD ½ C (cold)	7.4	9.4	14.3	20.4	29.1	35.6	41.3	45.3

Bristan, Birch Coppice Business Park, Dordon, Tamworth, B78 1SG  
 Telephone: 0844 701 6274 Facsimile: 0844 701 6275  
 Web Site: [www.bristan.com](http://www.bristan.com) Email: [enquire@bristan.com](mailto:enquire@bristan.com)



D1

The information contained on this page was correct at date of issue. Fitting dimensions are provided as a guide only. Some variation may occur due to manufacturing tolerances. Bristan pursues a policy of continuing improvement in design and performance of its products and so reserves the right to change specifications without prior notice.