

TECHNICAL DATA SHEET

BRISTAN

CADET BATH TAP

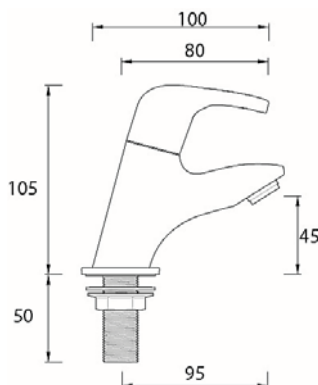
Product Specification

Product Code: CAD ¾ C
Finish: Chrome plated
Product Type: Contemporary
Construction: Bodies are of all brass construction and is designed to conform to BS EN 200
Valve Type: ¼ Turn ¾" CD Valve
Supply: Suitable for all plumbing systems
Inlet Connections: ¾" BSP
Working Pressures: Min 0.2 Bar Max 5.0 Bar



Additional Information

- Chrome plated to BS EN 248.
- Supplied with metal handles.
- Supplied with metal backnuts.



Technical Advice: For further information please call 0844 7016273 or email customer@bristan.com.

Guarantee: 5 years covering manufacturing faults.

Flow Rates (litres per minute)

System Pressure	0.2 bar	0.3 bar	0.5 bar	1.0 bar	2.0 bar	3.0bar	4.0bar	5.0bar
CAD ¾ C (hot)	14.2	18.9	26.0	37.6	54.4	66.6	76.9	85.9
CAD ¾ C (cold)	15.6	20.3	27.2	38.9	55.3	67.7	78.2	87.4

Bristan, Birch Coppice Business Park, Dordon, Tamworth, B78 1SG
 Telephone: 0844 701 6274 Facsimile: 0844 701 6275
 Web Site: www.bristan.com Email: enquire@bristan.com



D1

The information contained on this page was correct at date of issue. Fitting dimensions are provided as a guide only. Some variation may occur due to manufacturing tolerances. Bristan pursues a policy of continuing improvement in design and performance of its products and so reserves the right to change specifications without prior notice.