

TECHNICAL DATASHEET

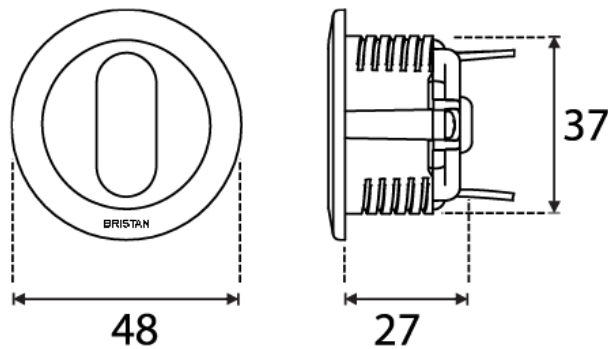
INFRARED CONTROLS

CONCEALED INFRARED AUTOMATIC URINAL FLUSH
MAINS POWERED



Product Specification

Product Code:	AUF 2 C
Finish:	Chrome
Product Type:	Commercial
Valve Type:	Solenoid valve
Supply:	Suitable for all plumbing systems (Preferably balanced)
Power Supply:	6V DC regulated from mains adaptor
Inlet Connections:	15mm compression connections
Working Pressures:	Min 0.5bar, Max 5.0bar Maximum Static Pressure 10.0bar



Additional Information

- Infrared automatic flush directly from cold water system.
- Mains powered.
- No cistern required.
- Vandal resistant concealed installation.
- Fully adjustable with hygiene flush setting.
- Flush time – 7 seconds.
- 2 years battery life under typical usage conditions.
- BREEAM compliant water saving product.

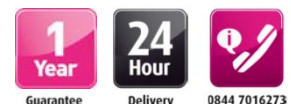
• **Technical Advice:** For further information please call 0844 7016273 or email customer@bristan.com

Guarantee: 1 year covering manufacturing faults.

Compliance / Approvals

WRAS: Certificate Number: 1306057

Bristan, Birch Coppice Business Park, Dordon, Tamworth, B78 1SG
Telephone: 0844 701 6274 Facsimile: 0844 701 6275
Web Site: www.bristan.com Email: enquire@bristan.com



The information contained on this page was correct at date of issue. Fitting dimensions are provided as a guide only. Some variation may occur due to manufacturing tolerances. Bristan pursues a policy of continuing improvement in design and performance of its products and so reserves the right to change specifications without prior notice.