

## TECHNICAL DATA SHEET

### SIGMA SINK MIXER Sigma Easyfit Sink Mixer Chrome Plated

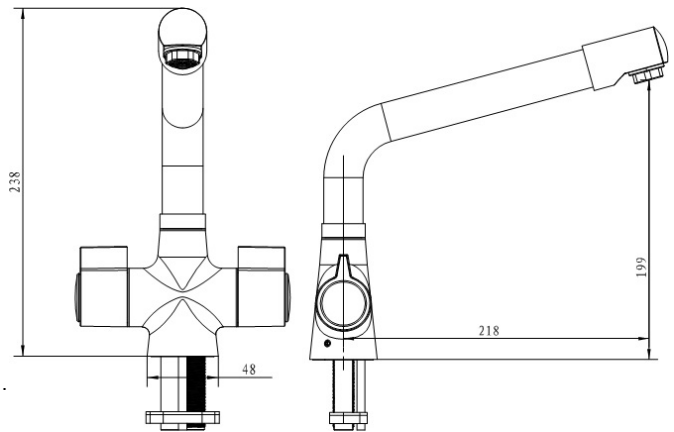
#### Product Specification

Product Code:	S SNK EF C
Finish:	Chrome
Product Type:	Contemporary
Construction:	Body is of brass construction and is designed to conform to BS EN 200
Valve Type:	Ceramic Cartridge
Supply:	Suitable for all plumbing systems <b>Preferably Balanced Pressures</b>
Inlet Connections:	½" BSP
Working Pressures:	Min 0.5bar, Max 5.0bar



#### Additional Information

- Unique patented technology.
- Designed with the installer in mind to ensure installation and future maintenance is made quick and easy.
- Ceramic disc cartridge for added durability and ease of use.
- Supplied with flexible connecting pipes.
- Supplied with easy to use metal lever handle.
- Chrome plated to BS EN 248.



**Technical Advice:** For further information please call 0844 7016273 or email [customer@bristan.com](mailto:customer@bristan.com)

**Guarantee:** 5 years covering manufacturing faults.

#### Flow Rates (litres per minute)

System Pressure	0.5bar	1.0bar	3.0bar
S SNK EF C (Mixed)	19.8	28.28	47.54

Bristan, Birch Coppice Business Park, Dordon, Tamworth, B78 1SG  
Telephone: 0844 701 6274 Facsimile: 0844 701 6275  
Web Site: [www.bristan.com](http://www.bristan.com) Email: [enquire@bristan.com](mailto:enquire@bristan.com)



EASY TO USE



Guarantee



Delivery



0844 7016273

D1

The information contained on this page was correct at date of issue. Fitting dimensions are provided as a guide only. Some variation may occur due to manufacturing tolerances. Bristan pursues a policy of continuing improvement in design and performance of its products and so reserves the right to change specifications without prior notice.