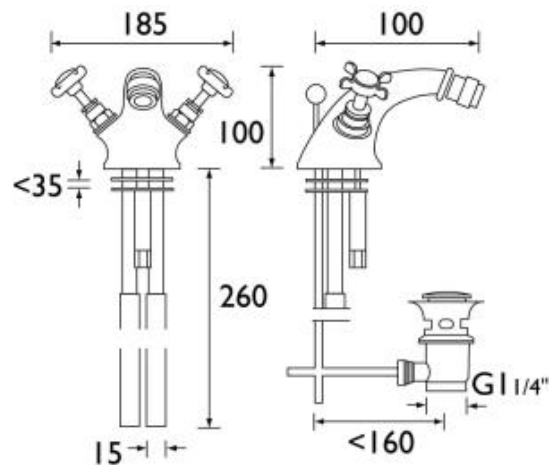


1901

1901 BIDET MIXER WITH POP-UP WASTE

Product Specification

Product Code:	N BID C CD / N BID G CD
Finishes:	Chrome plated / Gold plated
Product Type:	Traditional
Construction:	Body is of brass construction and is designed to conform to BS EN 200
Valve Type:	¼ turn ceramic disc valves
Supply:	Suitable for all plumbing systems
Inlet Connections:	M12 x 15mm screw-in copper connection pipes
Water Pressure:	Min 0.2 bar, Max 8.0 bar



Additional Information

- Supplied with metal heads and metal backnuts
- Supplied with pop-up waste
- Chrome plated to BS EN 248

Technical Advice: For further information please call 0844 7016273 or email customercare@bristan.com

Guarantee: 5 years covering manufacturing faults

Flow Rates (litres per minute)

System Pressure	0.2bar	0.5bar	1bar	2bar	3bar	5bar
N BID (mixed)	9.5	15.0	21.2	30.0	36.8	47.5

Bristan, Birch Coppice Business Park, Dordon, Tamworth, B78 15G
 Telephone: 0844 701 6274 Facsimile: 0844 701 6275
 Web Site: www.bristan.com Email: enquire@bristan.com



The information contained on this page was correct at date of issue. Fitting dimensions are provided as a guide only. Some variation may occur due to manufacturing tolerances. Bristan pursues a policy of continuing improvement in design and performance of its products and so reserves the right to change specifications without prior notice.

For latest prices and delivery to your door visit MyTub Ltd - www.mytub.co.uk - info@mytub.co.uk